

HEADHUNTER

AIRBAG SHIELD KIT INSTALL GUIDE

Compatible with Model Year 2014 and
newer John Deere R and 600 Series
Sprayers



AIRBAG SHIELD KIT LAYOUT



NOTES:
DS = DRIVERS SIDE
PS = PASSENGERS SIDE




HEADHUNTER

INSTALLATION INSTRUCTIONS

TOOLS NEEDED:

Cordless Drill
Penetrating Oil (WD40 or similar)
13mm wrench
18mm wrench

Estimated Install Time

 ≈ 30 min

STEPS:

1. Spray penetrating oil into the threads on the front side of the airbag assembly and kingpin.
2. Use the supplied tap (M10 1.5 pitch) to clean threads on the front side of the airbag assembly and kingpin.
3. Loosen and remove the M12 nut at the top of the airbag assembly and kingpin using an 18mm wrench.
4. Hang the airbag shield assembly on the bolt.
5. Loosely thread the M12 nut that was removed in Step 3 back onto the bolt.
6. Thread supplied M10x30 flanged bolts through the airbag mounting bracket into the holes on the front side of the airbag assembly and kingpin and then tighten the hardware using a 13mm wrench.
7. Tighten the nut at the top of the airbag assembly and kingpin using an 18mm wrench.

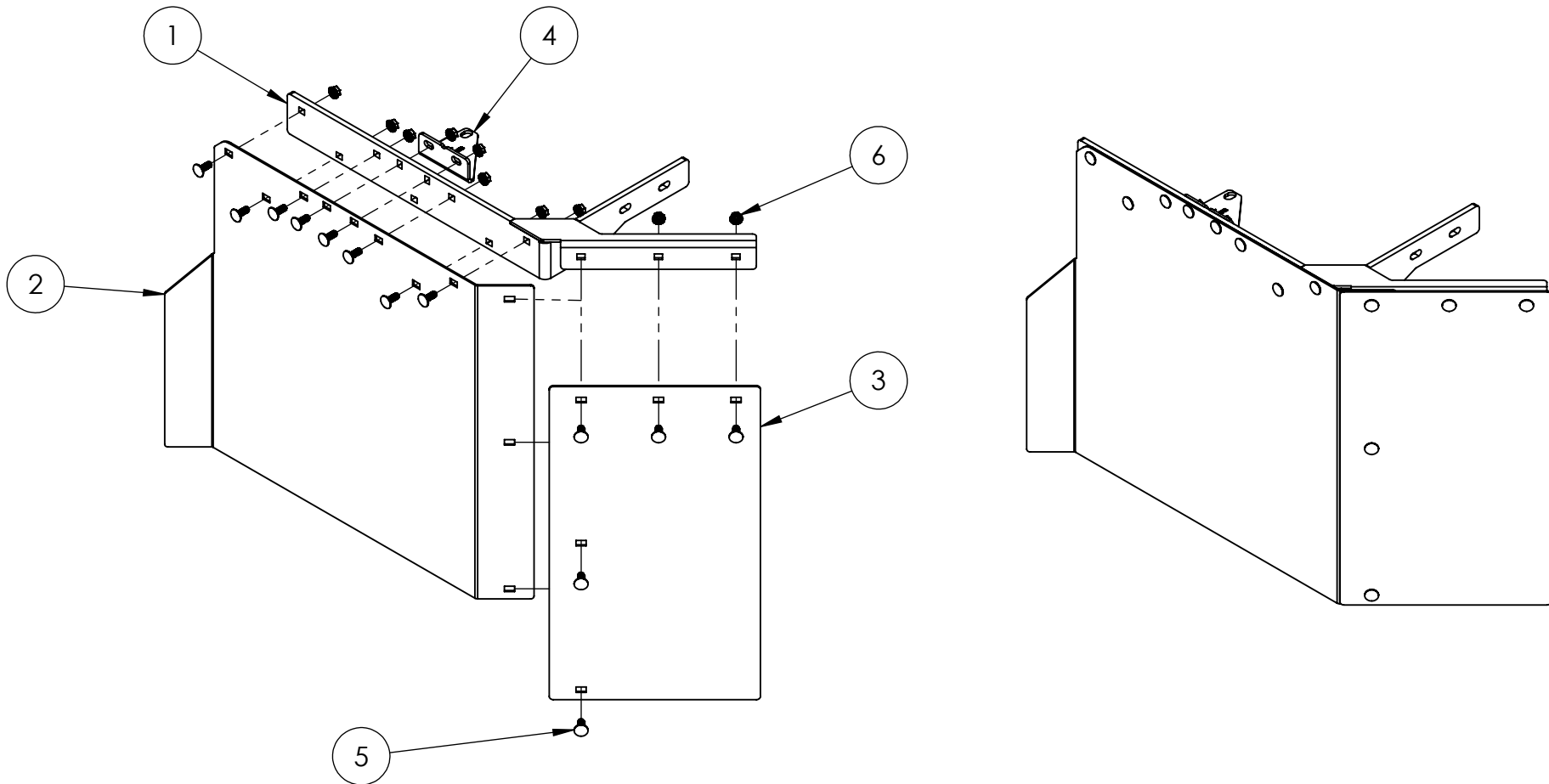
If you have questions, call Ben Sommers at 515.601.6521



AIRBAG SHIELD KIT FRONT DRIVERS SIDE

77-201300

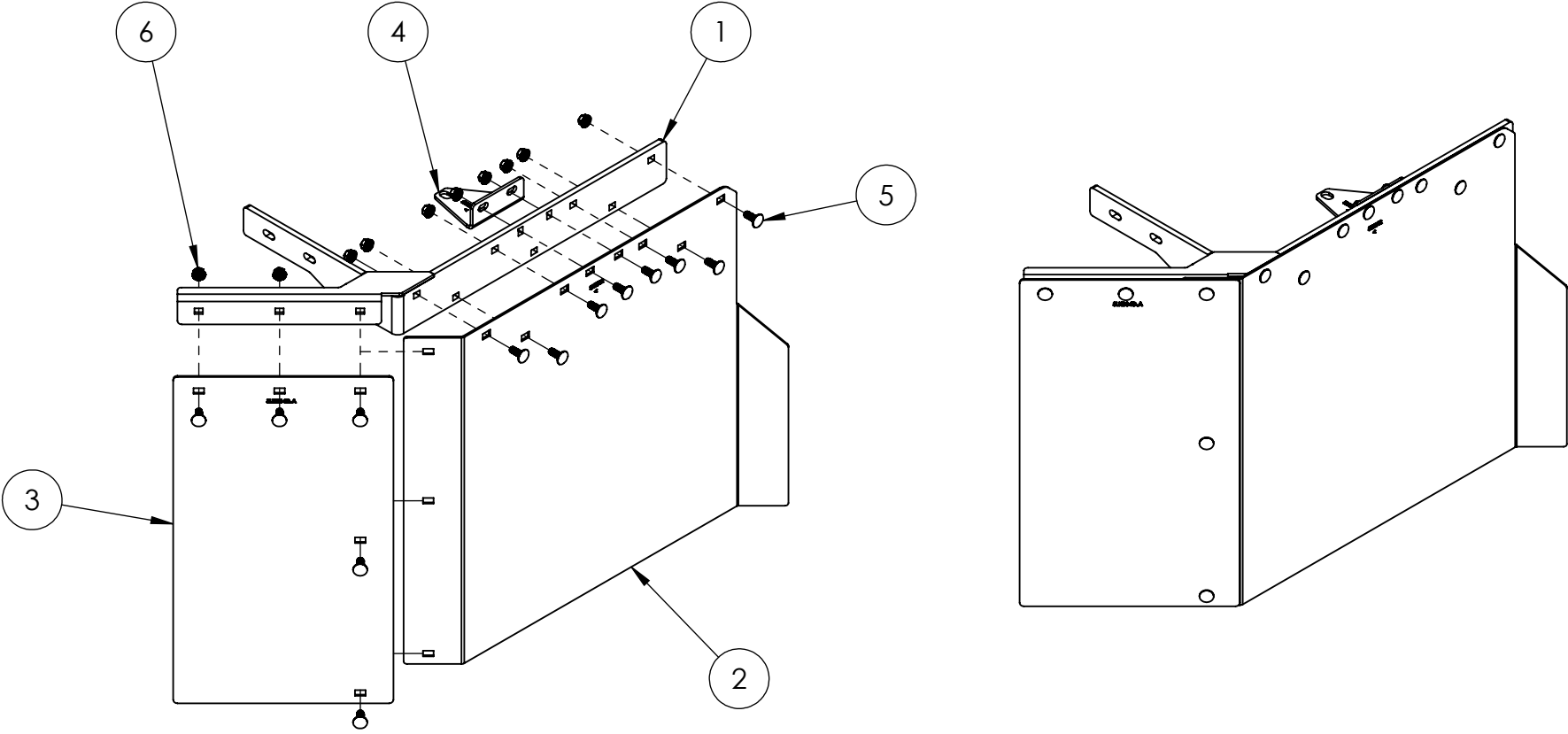
ITEM NO.	PART NUMBER	DESCRIPTION	QTY.
1	67-201020	SHIELD BRACKET, DS	1
2	37-201201	LARGE SHIELD (NOTCHED), FRONT DS	1
3	37-201004	FLAT SHIELD	1
4	37-201002	STABILIZER ARM, DS	1
5	02-38161CBGR5BLK	3/8"-16 x 1 CARRIAGE BOLT GRADE 5 BLACK	13
6	02-3816CLNZP	3/8"-16 LOCKING FLANGE NUT ZP	13



AIRBAG SHIELD KIT FRONT PASSENGERS SIDE

77-201350

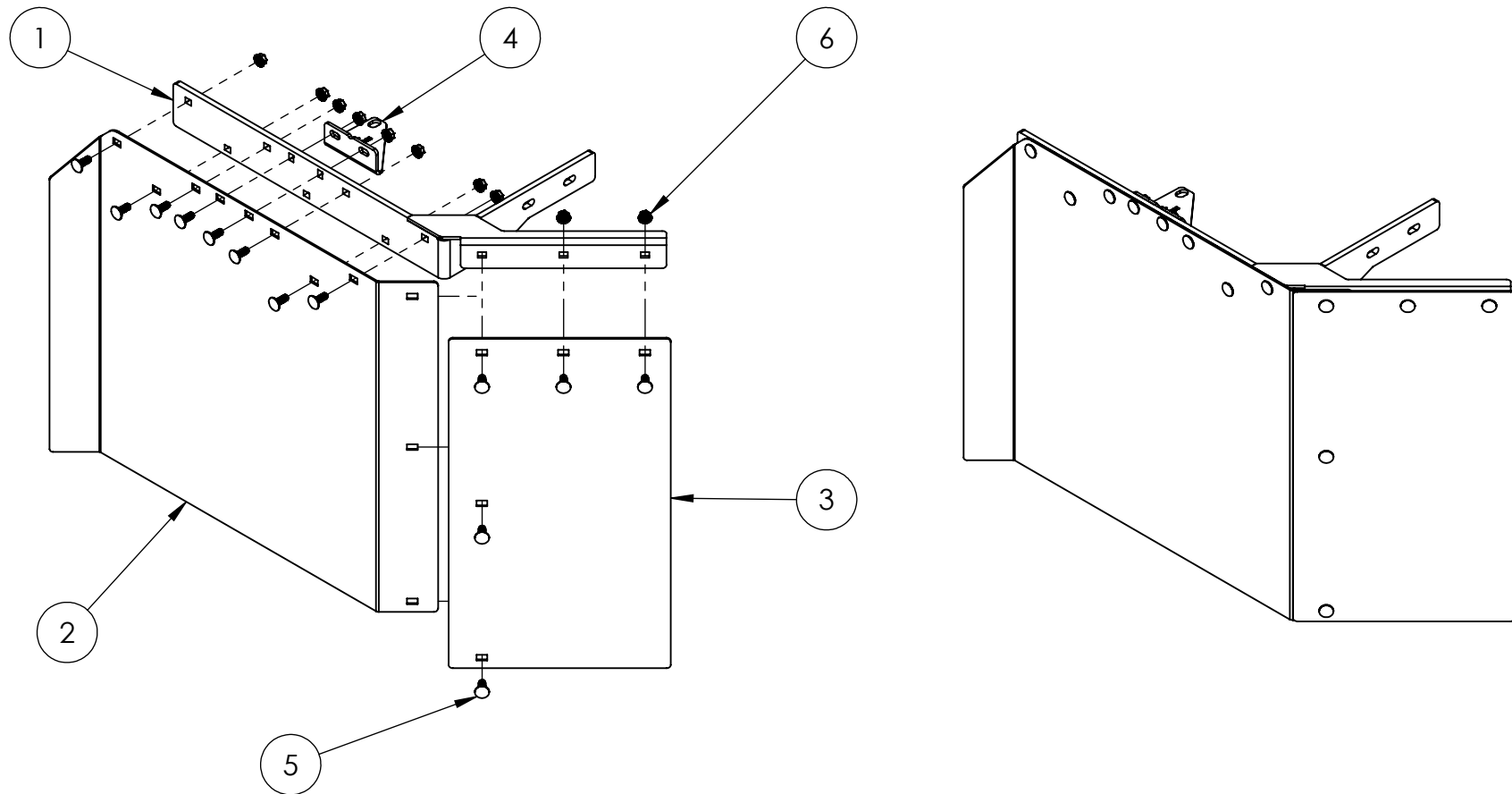
ITEM NO.	PART NUMBER	DESCRIPTION	QTY.
1	67-201021	SHIELD BRACKET, PS	1
2	37-201251	LARGE SHIELD (NOTCHED), FRONT PS	1
3	37-201004	FLAT SHIELD	1
4	37-201003	STABILIZER ARM, PS	1
5	02-38161CBGR5BLK	3/8"-16 x 1 CARRIAGE BOLT GRADE 5 BLACK	13
6	02-3816CLNZP	3/8"-16 LOCKING FLANGE NUT ZP	13



AIRBAG SHIELD KIT REAR DRIVERS SIDE

77-201400

ITEM NO.	PART NUMBER	DESCRIPTION	QTY.
1	67-201020	SHIELD BRACKET, DS	1
2	37-201101	LARGE SHIELD, REAR DS	1
3	37-201004	FLAT SHIELD	1
4	37-201002	STABILIZER ARM, DS	1
5	02-38161CBGR5BLK	3/8"-16 x 1 CARRIAGE BOLT GRADE 5 BLACK	13
6	02-3816CLNZN	3/8"-16 LOCKING FLANGE NUT ZP	13



AIRBAG SHIELD KIT REAR PASSENGERS SIDE

77-201450

ITEM NO.	PART NUMBER	DESCRIPTION	QTY.
1	67-201021	SHIELD BRACKET, PS	1
2	37-201151	LARGE SHIELD, REAR PS	1
3	37-201004	FLAT SHIELD	1
4	37-201003	STABILIZER ARM, PS	1
5	02-38161CBGR5BLK	3/8"-16 x 1 CARRIAGE BOLT GRADE 5 BLACK	13
6	02-3816CLNZP	3/8"-16 LOCKING FLANGE NUT ZP	13

