

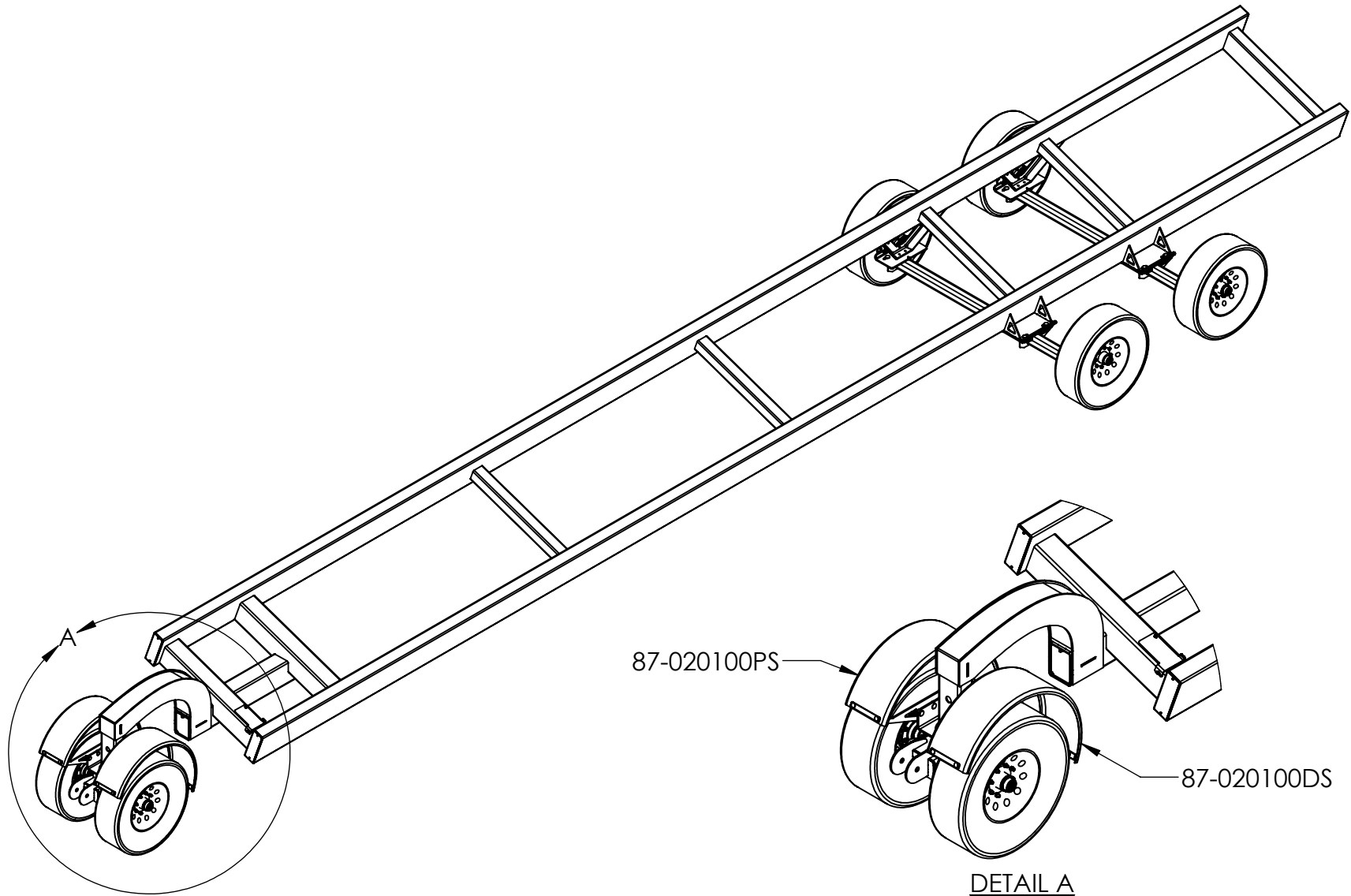
HEADHUNTER

FRONT FENDER
INSTALLATION GUIDE

DOSE

FRONT FENDER LAYOUT

COMPATIBLE WITH HEADHUNTER CLASSIC, PRO, AND WARRIOR TRAILERS



NOTES:

1. SOME COMPONENTS REMOVED FOR CLARITY.




HEADHUNTER

FRONT FENDER INSTALL INSTRUCTIONS

TOOLS NEEDED:

5/8" Wrench or Socket
3/4" Wrench
3/4" Socket
1/2" Impact gun

Estimated Install Time

 ≈ 30 min

Note: Reference the circled part numbers on the following pages 03 and 04.

STEPS:

1. If parts ②, ③, ④, and ⑤ are already assembled, skip steps 2 and 3.
2. Referencing the exploded view on the next page, loosely assemble the 7/16" hardware; the carriage bolt ④, the fender strap ③, the poly fender ②, the front fender bracket ①, and the locknut ⑤.
3. Tighten hardware after assembling.
4. Remove the preinstalled 1/2" carriage bolts ⑥ and the crown locknuts ⑦.
5. Referencing the exploded view on the next page, loosely assemble the carriage bolts ⑥ and the crown locknuts ⑦ through the front fender mounting bracket and the front fender bracket ①.
6. Tighten hardware to complete.

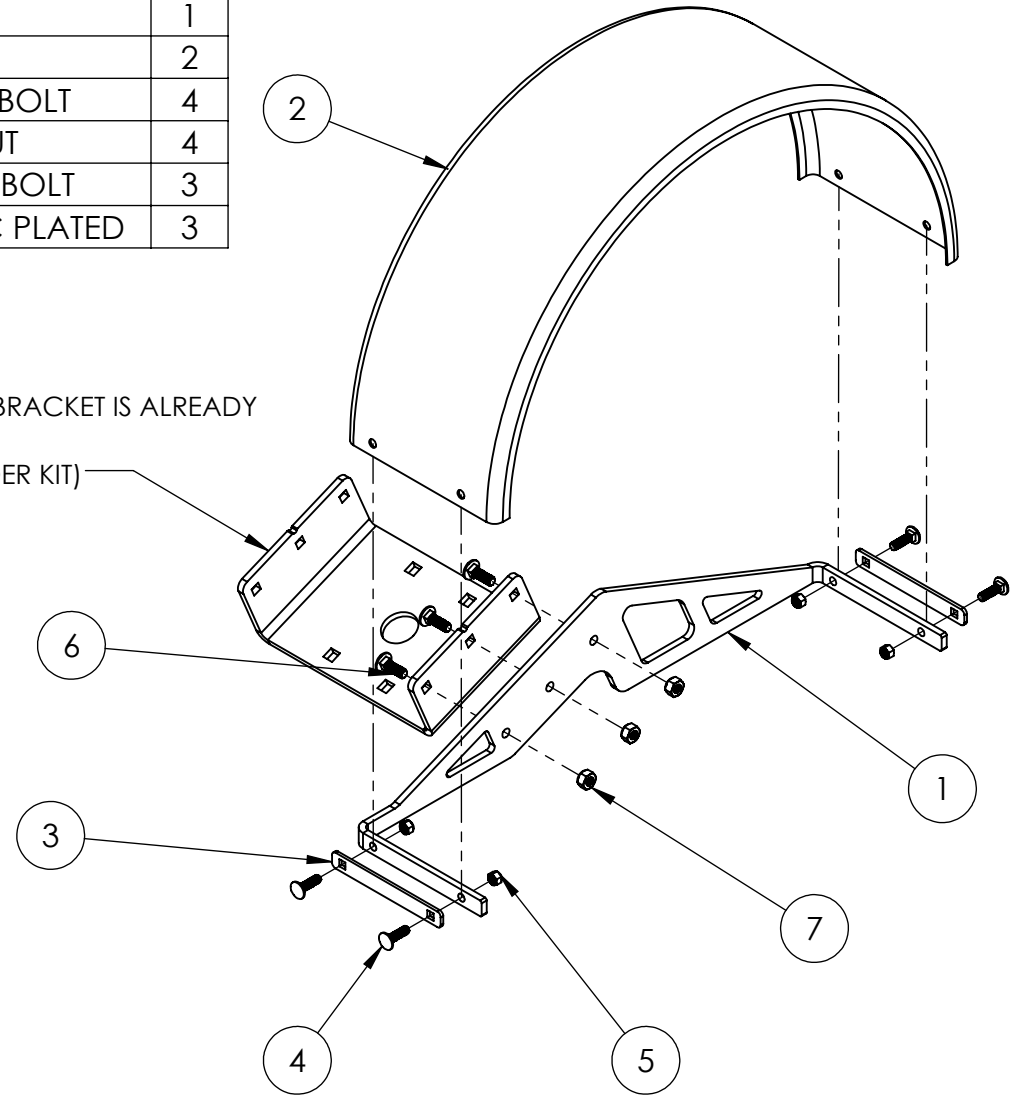
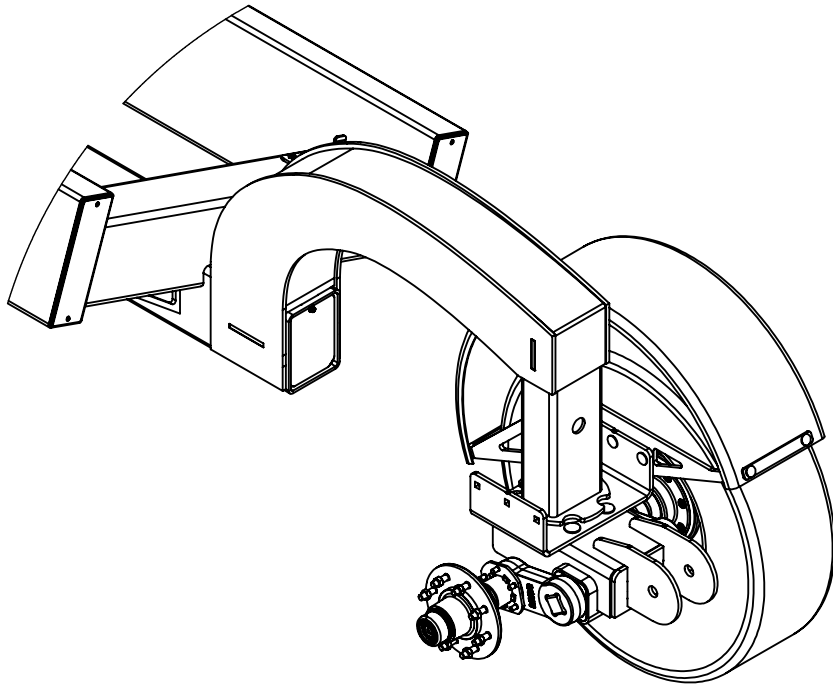
If you have questions, call Ben Sommers at 515.601.6521

DRIVERS SIDE FENDER

87-020100DS

| ITEM NO. | PART NUMBER | DESCRIPTION | QTY. |
|----------|-----------------|------------------------------------|------|
| 1 | 37-020101DS | DS FRONT FENDER BRACKET | 1 |
| 2 | 02-02502 | POLY FENDER | 1 |
| 3 | 27-020103 | FENDER STRAP | 2 |
| 4 | 02-71614112CB | 7/16"-14 x 1-1/2" CARRIAGE BOLT | 4 |
| 5 | 02-71614NLN | 7/16"-14 NYLON LOCKNUT | 4 |
| 6 | 02-1213112CBGR5 | 1 1/2"-13 x 1 1/2" CARRIAGE BOLT | 3 |
| 7 | 02-1213CLNZP | 1/2"-13 CROWN LOCKNUT, ZINC PLATED | 3 |

NOTE: THE FRONT FENDER MOUNTING BRACKET IS ALREADY
ON THE TRAILER.
(NOT INCLUDED IN FENDER KIT)



NOTES:

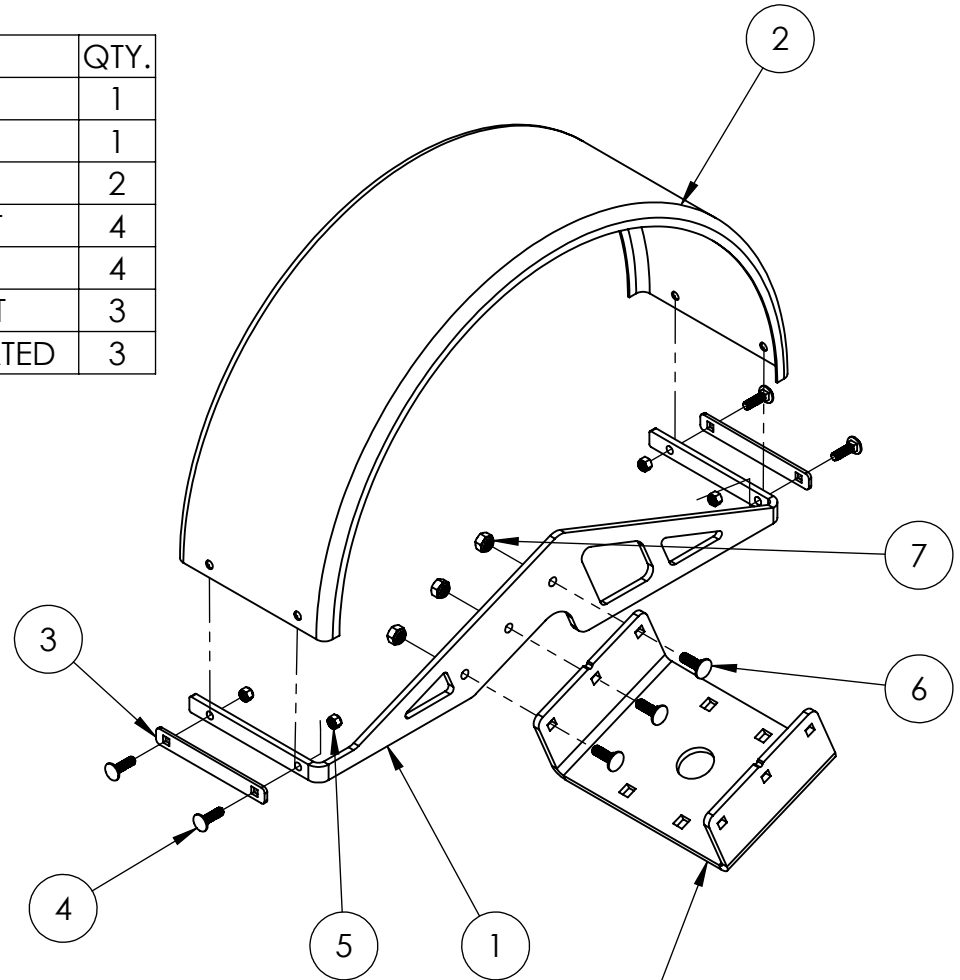
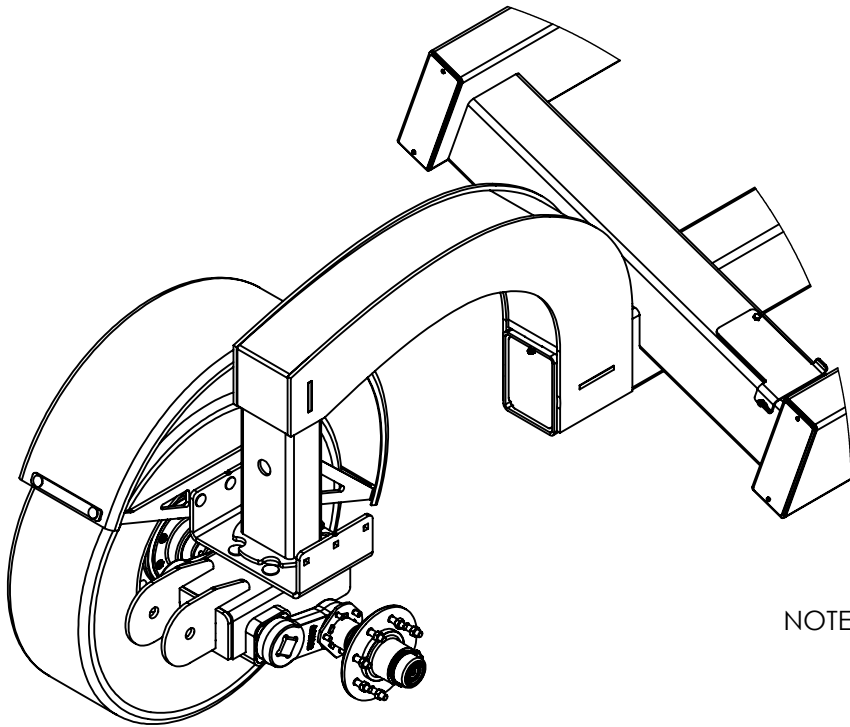
1. SOME COMPONENTS REMOVED FOR CLARITY.



PASSENGERS SIDE FENDER

87-020100PS

| ITEM NO. | PART NUMBER | DESCRIPTION | QTY. |
|----------|-----------------|------------------------------------|------|
| 1 | 37-020102PS | PS FRONT FENDER BRACKET | 1 |
| 2 | 02-02502 | POLY FENDER | 1 |
| 3 | 27-020103 | FENDER STRAP | 2 |
| 4 | 02-71614112CB | 7/16"-14 x 1-1/2" CARRIAGE BOLT | 4 |
| 5 | 02-71614NLN | 7/16"-14 NYLON LOCKNUT | 4 |
| 6 | 02-1213112CBGR5 | 1 1/2"-13 x 1 1/2" CARRIAGE BOLT | 3 |
| 7 | 02-1213CLNZP | 1/2"-13 CROWN LOCKNUT, ZINC PLATED | 3 |



NOTE: THE FRONT FENDER MOUNTING BRACKET IS ALREADY ON THE TRAILER.
(NOT INCLUDED IN FENDER KIT)

NOTES:

1. SOME COMPONENTS REMOVED FOR CLARITY.

