

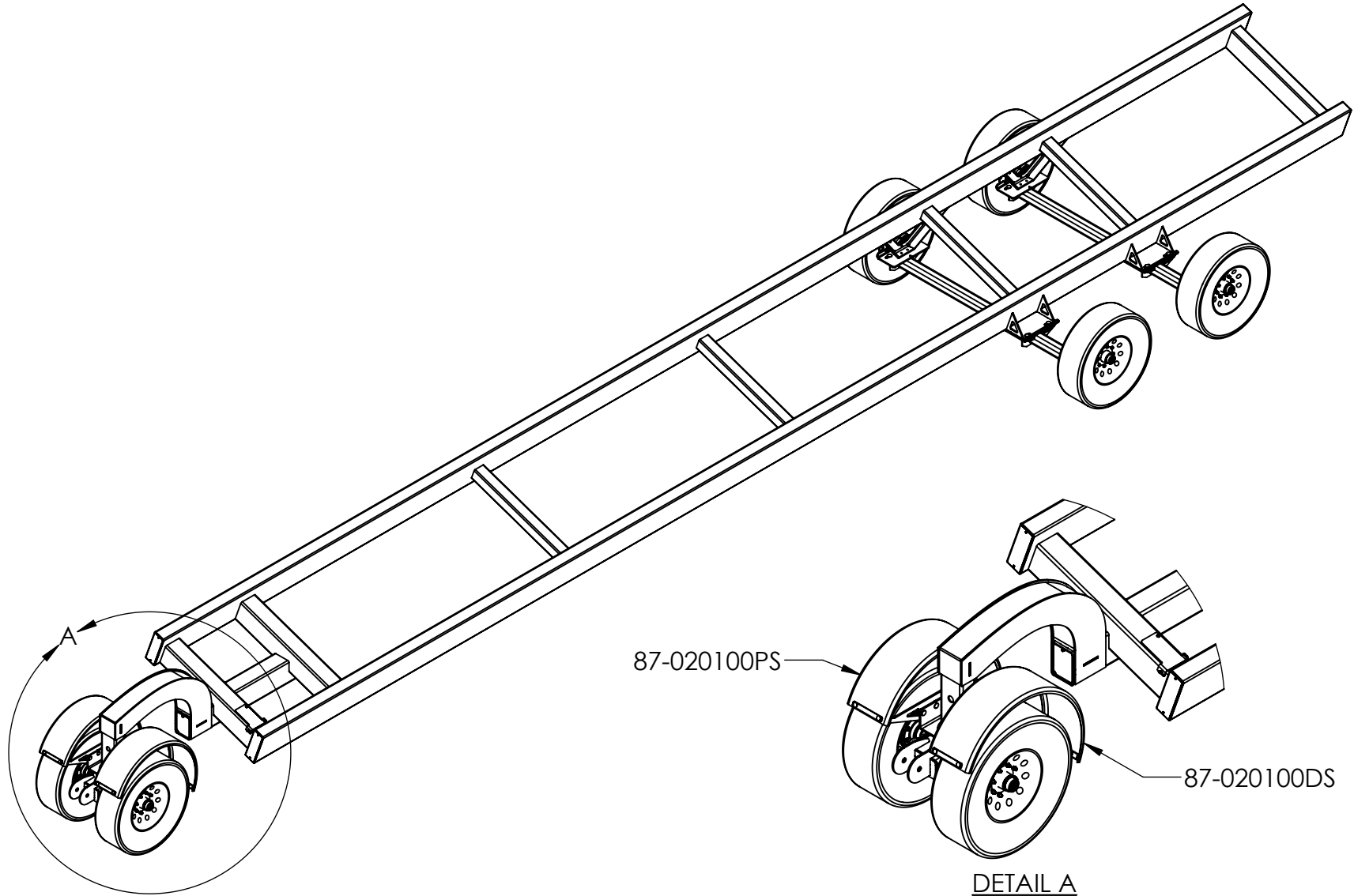
HEADHUNTER

FRONT FENDER INSTALLATION GUIDE

DOSE

FRONT FENDER LAYOUT

COMPATIBLE WITH HEADHUNTER CLASSIC, PRO, AND WARRIOR TRAILERS



NOTES:

1. SOME COMPONENTS REMOVED FOR CLARITY.




HEADHUNTER

TOOLS NEEDED:

5/8" Wrench or Socket
3/4" Wrench
3/4" Socket
1/2" Impact gun

Estimated Install Time

 ≈ 30 min

Note: Reference the circled part numbers on the following pages 03 and 04.

STEPS:

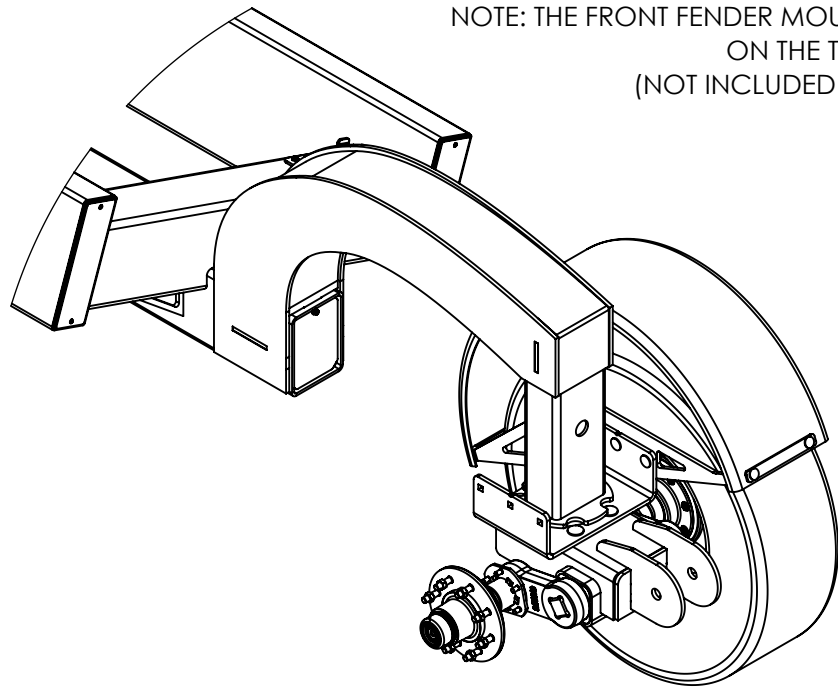
1. If parts ②, ③, ④, and ⑤ are already assembled, skip steps 2 and 3.
2. Referencing the exploded view on the next page, loosely assemble the 7/16" hardware; the carriage bolt ④, the fender strap ③, the poly fender ②, the front fender bracket ①, and the locknut ⑤.
3. Tighten hardware after assembling.
4. Remove the preinstalled 1/2" carriage bolts ⑥ and the crown locknuts ⑦.
5. Referencing the exploded view on the next page, loosely assemble the carriage bolts ⑥ and the crown locknuts ⑦ through the front fender mounting bracket and the front fender bracket ①.
6. Tighten hardware to complete.

If you have questions, call Ben Sommers at 515.601.6521

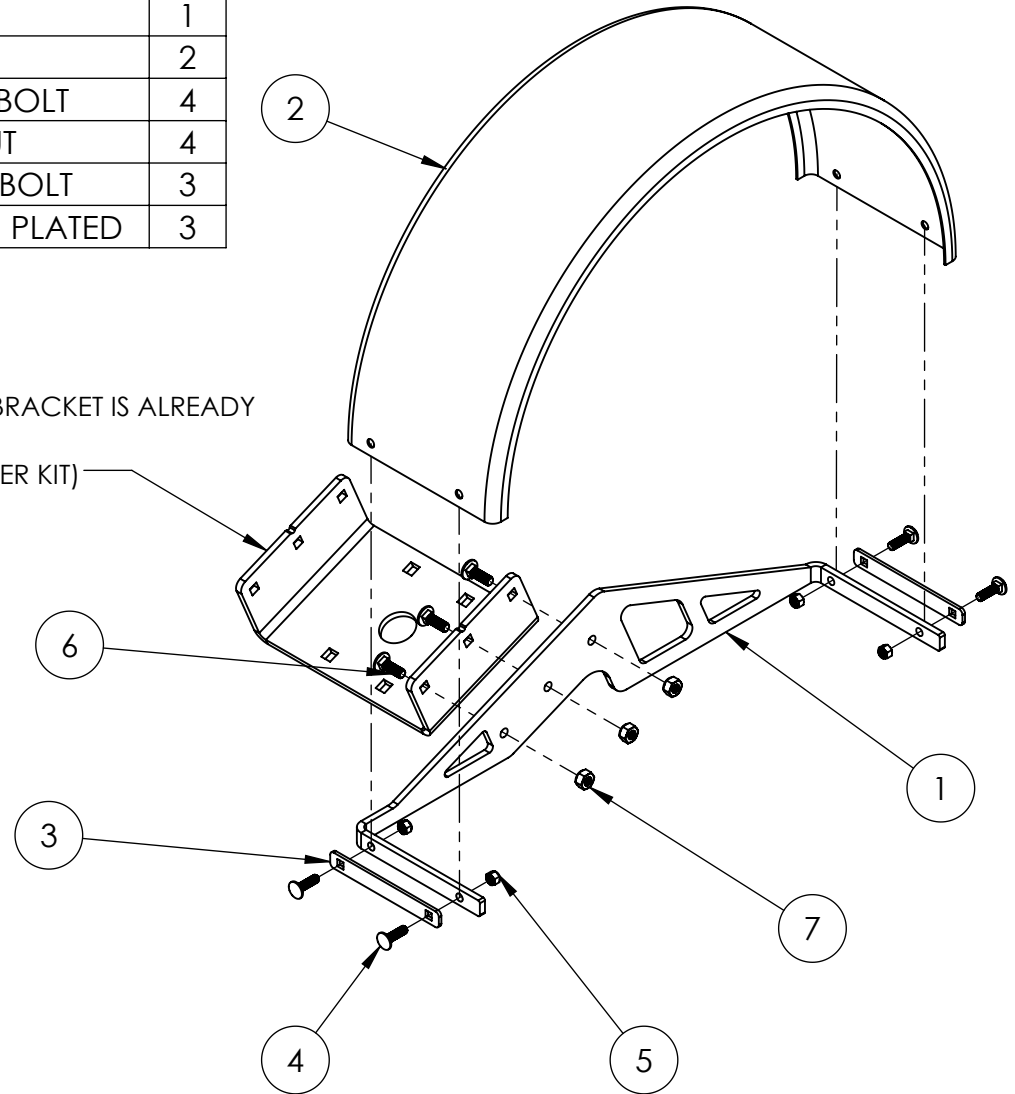
DRIVERS SIDE FENDER

87-020100DS

ITEM NO.	PART NUMBER	DESCRIPTION	QTY.
1	37-020101DS	DS FRONT FENDER BRACKET	1
2	02-02502	POLY FENDER	1
3	27-020103	FENDER STRAP	2
4	02-71614112CB	7/16"-14 x 1-1/2" CARRIAGE BOLT	4
5	02-71614NLN	7/16"-14 NYLON LOCKNUT	4
6	02-1213112CBGR5	1 1/2"-13 x 1 1/2" CARRIAGE BOLT	3
7	02-1213CLNZP	1/2"-13 CROWN LOCKNUT, ZINC PLATED	3



NOTE: THE FRONT FENDER MOUNTING BRACKET IS ALREADY
ON THE TRAILER.
(NOT INCLUDED IN FENDER KIT)



NOTES:

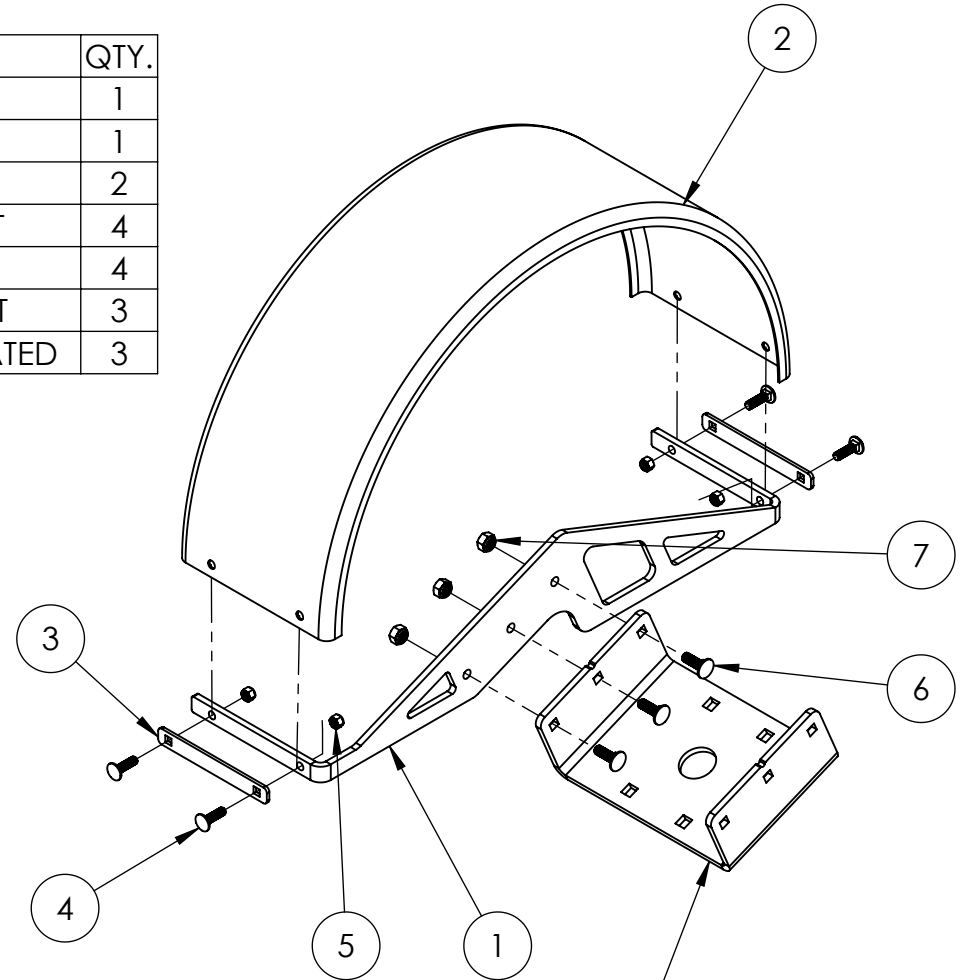
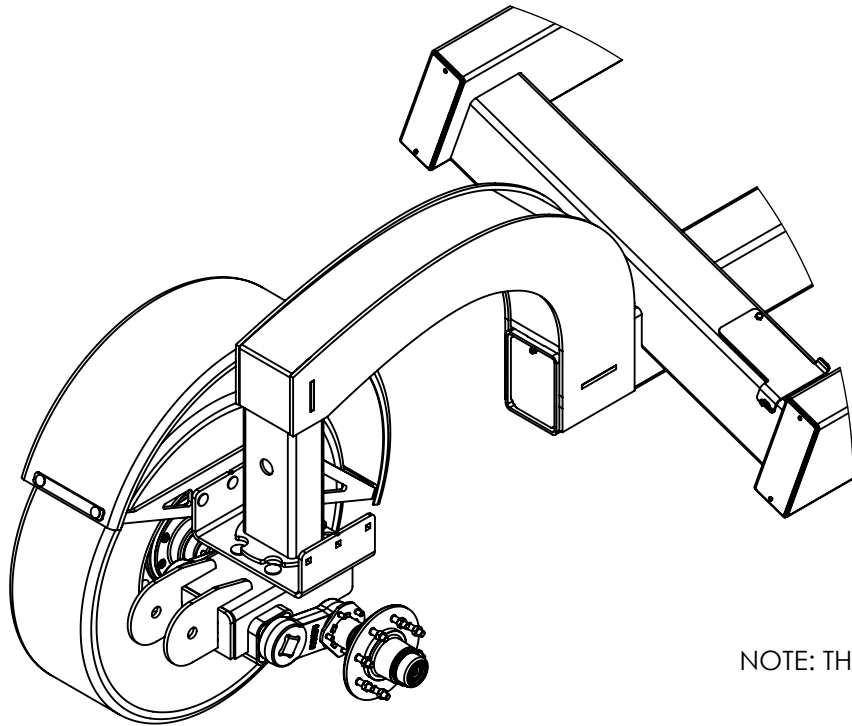
1. SOME COMPONENTS REMOVED FOR CLARITY.
2. ADJUST FENDER BRACKET TO BE CENTERED ON TIRE.



PASSENGERS SIDE FENDER

87-020100PS

ITEM NO.	PART NUMBER	DESCRIPTION	QTY.
1	37-020102PS	PS FRONT FENDER BRACKET	1
2	02-02502	POLY FENDER	1
3	27-020103	FENDER STRAP	2
4	02-71614112CB	7/16"-14 x 1-1/2" CARRIAGE BOLT	4
5	02-71614NLN	7/16"-14 NYLON LOCKNUT	4
6	02-1213112CBGR5	1 1/2"-13 x 1 1/2" CARRIAGE BOLT	3
7	02-1213CLNZP	1/2"-13 CROWN LOCKNUT, ZINC PLATED	3



NOTE: THE FRONT FENDER MOUNTING BRACKET IS ALREADY ON THE TRAILER.
(NOT INCLUDED IN FENDER KIT)

NOTES:

1. SOME COMPONENTS REMOVED FOR CLARITY.
2. ADJUST FENDER BRACKET TO BE CENTERED ON TIRE.

