

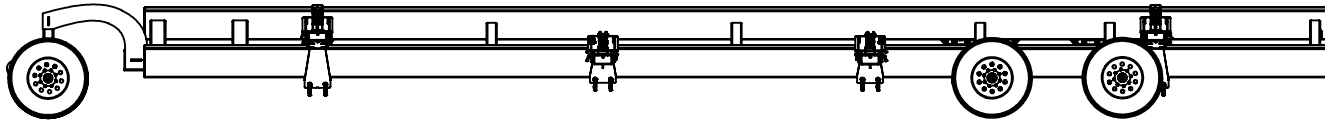
HEADHUNTER

HINGED DRAPER INSTALLATION GUIDE

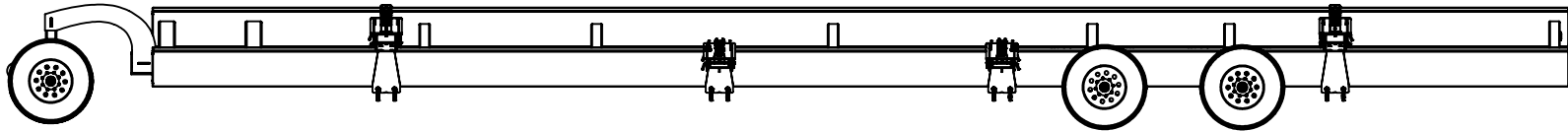
DOSE

COMPATIBLE WITH HEADHUNTER CLASSIC AND
HEADHUNTER ARROW TRAILERS

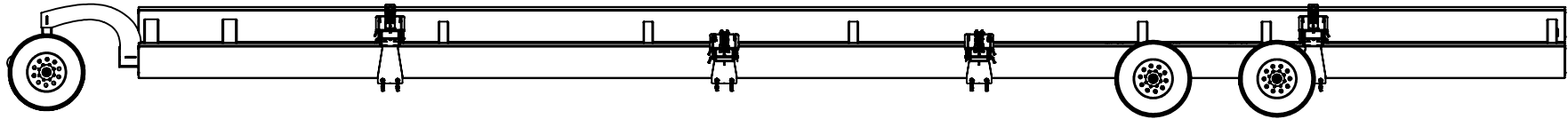
38'



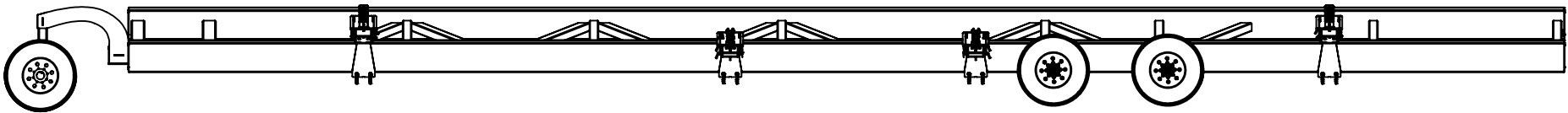
43'



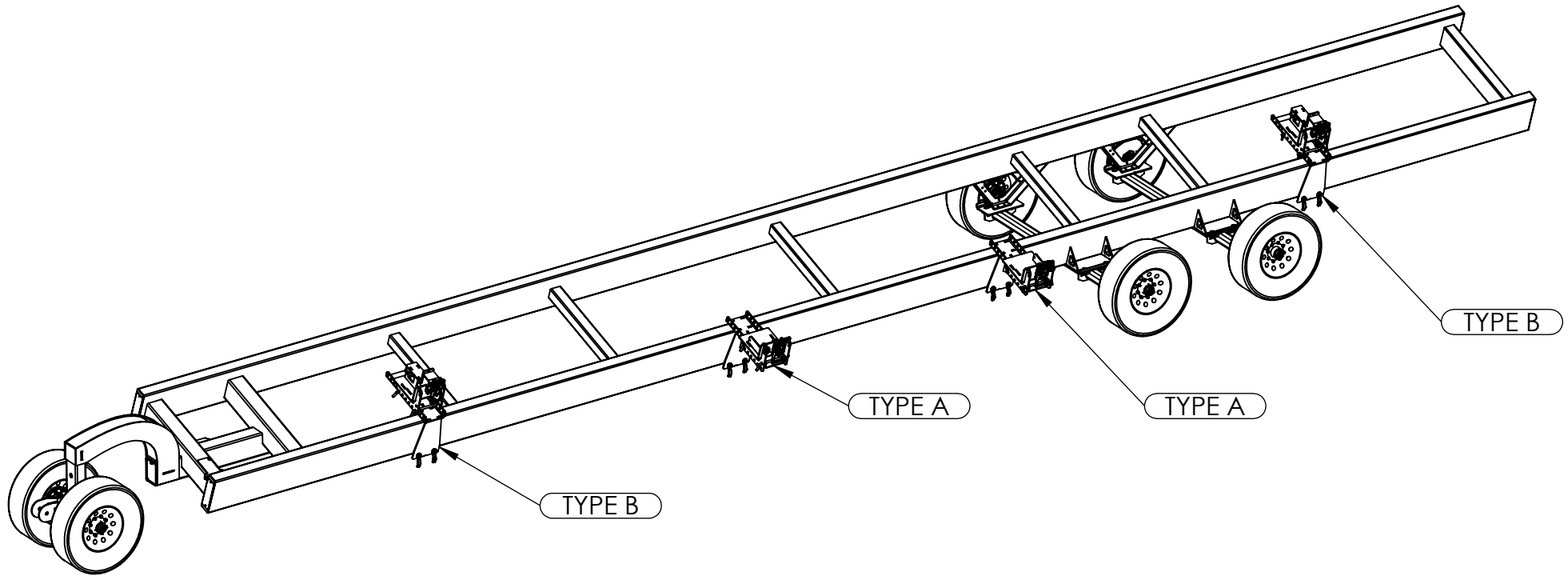
48'



53'



HINGED DRAPER ASSEMBLY GENERAL LAYOUT & MOUNT TYPES

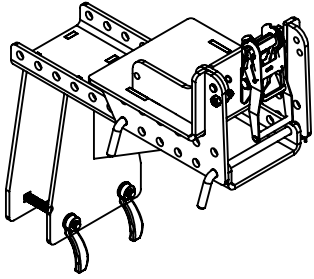


NOTES:

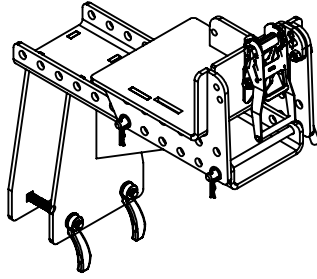
1. SOME COMPONENTS REMOVED FOR CLARITY.
2. MOUNT POSITIONS ARE FOR REFERENCE ONLY;
ADJUST AS NEEDED.



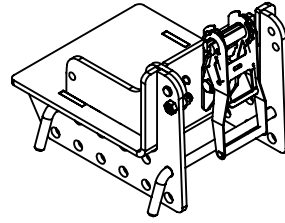
MOUNT TYPES



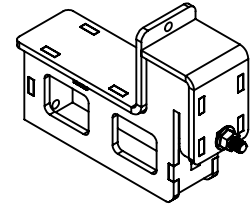
TYPE A LEFT



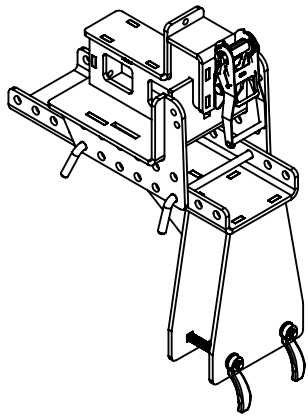
TYPE A RIGHT



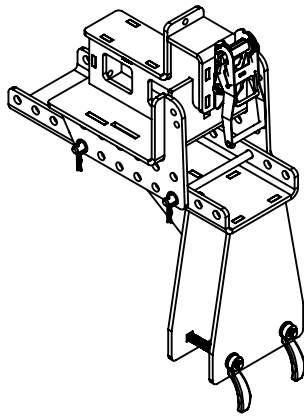
STANDARD SADDLE



HINGED DRAPER

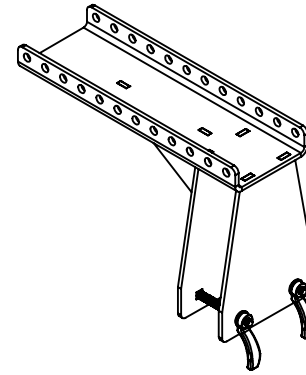


TYPE B LEFT



TYPE B RIGHT

STANDARD MOUNT COMES IN 3 SIZES



SIZE	PART NUMBER	COMPATIBLE TRAILERS
10"	77-071400	ALL ARROW TRAILERS
12"	77-070200	CLASSIC 38' AND 43'
14"	77-070300	CLASSIC 43'-14, 48', AND 53'

HEADHUNTER

SADDLE AND MOUNT INSTRUCTIONS

TOOLS NEEDED:

15/16" SOCKET AND RATCHET
3/4" SOCKET AND RATCHET
3/4" COMBINATION WRENCH
1/2" IMPACT GUN OR RATCHET

Estimated Install Time



STEPS:

1. Remove the saddle stop (flipper) by removing the pin and hairpin/cotter pin.
2. Loosen the saddle stop lock nut (3/4" wrench & socket) and remove the hardware.
3. Remove the saddle stop and place in the strap/storage box.
4. Remove the ratchet by loosening the carriage bolt and lock nut (15/16" socket)
- Will re-use this hardware in step 6.
5. Place the ratchet in the top carriage hole of the HD Saddle Top.
6. Install and tighten the carriage bolt and nut (15/16" socket).
7. Place the HD Saddle Top on the saddle and align the holes.
8. Install and tighten the carriage bolt and lock nut (15/16" socket).
9. Repeat this process for the other HD Saddle Top.

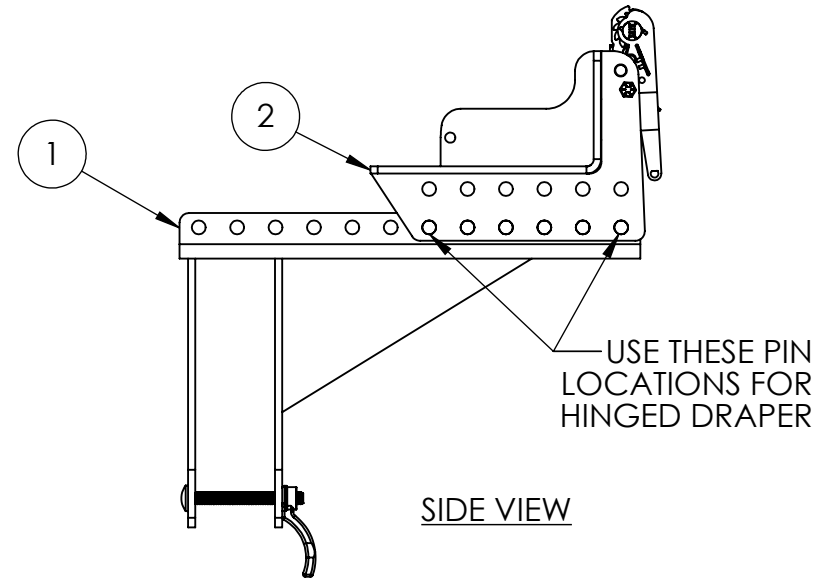
If you have questions, call Ben Sommers at 515.601.6521



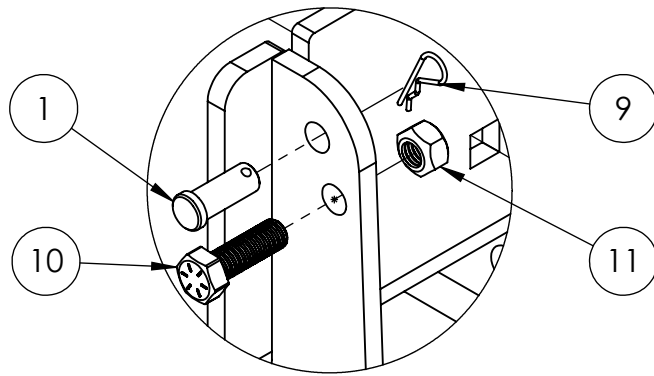
STANDARD MOUNT AND SADDLE ASSEMBLY

TYPE A

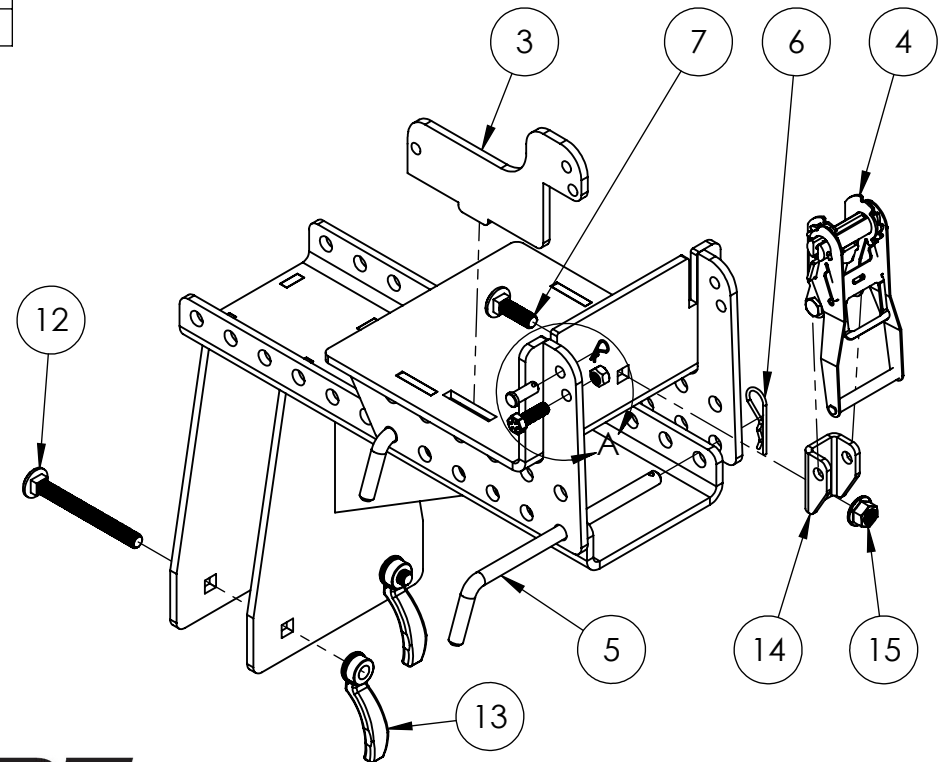
ITEM NO.	PART NUMBER	DESCRIPTION	QTY.
1	SEE PAGE 4	STANDARD MOUNT	1
2	77-070500	STANDARD SADDLE	1
3	77-070503	SADDLE STOP	1
4	02-RAT50	RATCHET	1
5	02-581012BPN	5/8" x 10.5" BENT PIN	2
6	02-BP210	BRIDGE PIN 210	2
7	02-58112CBGR5	5/8" CARRIAGE BOLT	1
8	02-12112CLEVISZP	CLEVIS PIN	1
9	37-BP222	BRIDGE PIN 222	1
10	02-1220112HHCS	1/2"-20 x 1 1/2" HEX HEAD CAP SCREW	1
11	02-1220LN	1/2"-20 LOCK NUT	1
12	02-58116CBGR5ZP	5/8"-11 x 6" CARRIAGE BOLT	2
13	02-5811HNZP	5/8"-11 HANDLE NUT	2
14	77-070504	RATCHET KNUCKLE	1
15	02-5811CLNZP	5/8"-11 LOCK NUT	1



SIDE VIEW



DETAIL A



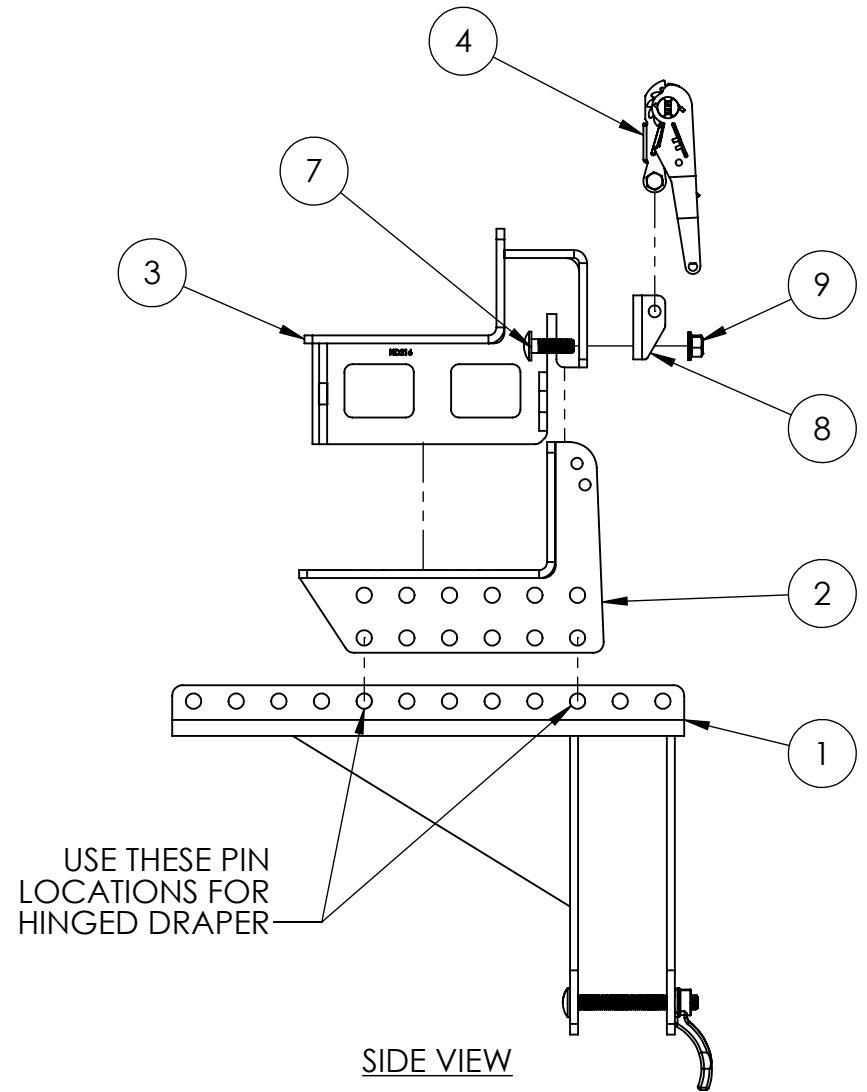
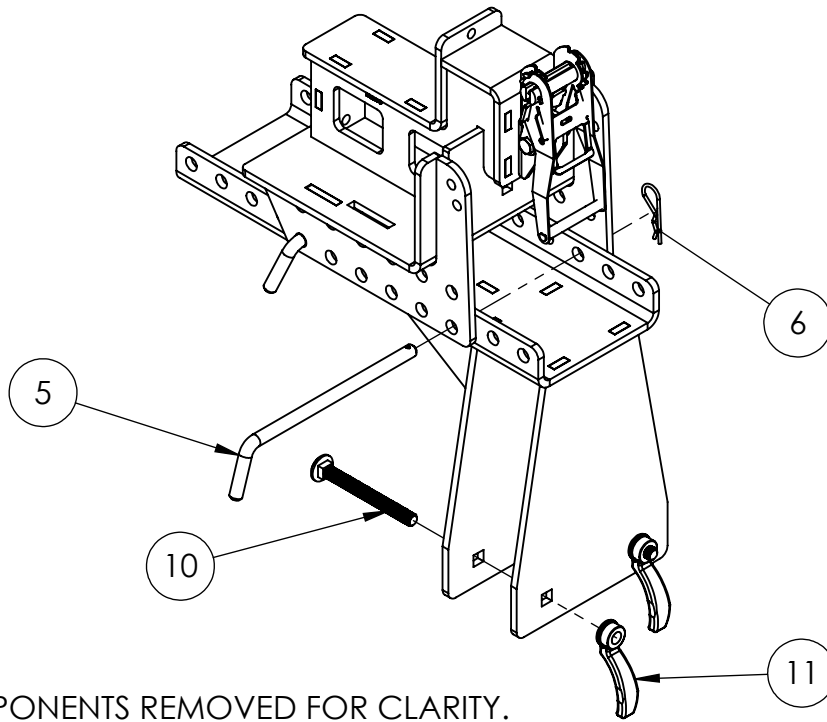
NOTES:

1. SOME COMPONENTS REMOVED FOR CLARITY.
2. MOUNT POSITIONS ARE FOR REFERENCE ONLY; ADJUST AS NEEDED.



STANDARD MOUNT AND SADDLE WITH HINGED DRAPER TYPE B

ITEM NO.	PART NUMBER	DESCRIPTION	QTY.
1	SEE PAGE 4	STANDARD MOUNT	1
2	67-070500	STANDARD SADDLE	1
3	67-081000	HINGED DRAPER EXTENSION	1
4	02-RAT50	RATCHET	1
5	02-581012BPN	5/8" x 10.5" BENT PIN	2
6	02-BP210	BRIDGE PIN 210	2
7	02-58112CBGR5	5/8" CARRIAGE BOLT	1
8	77-070504	RATCHET KNUCKLE	1
9	02-58111CLNZP	5/8"-11 LOCK NUT	1
10	02-58116CBGR5ZP	5/8"-11 x 6" CARRIAGE BOLT	2
11	02-5811HNZP	5/8" HANDLE NUT	2

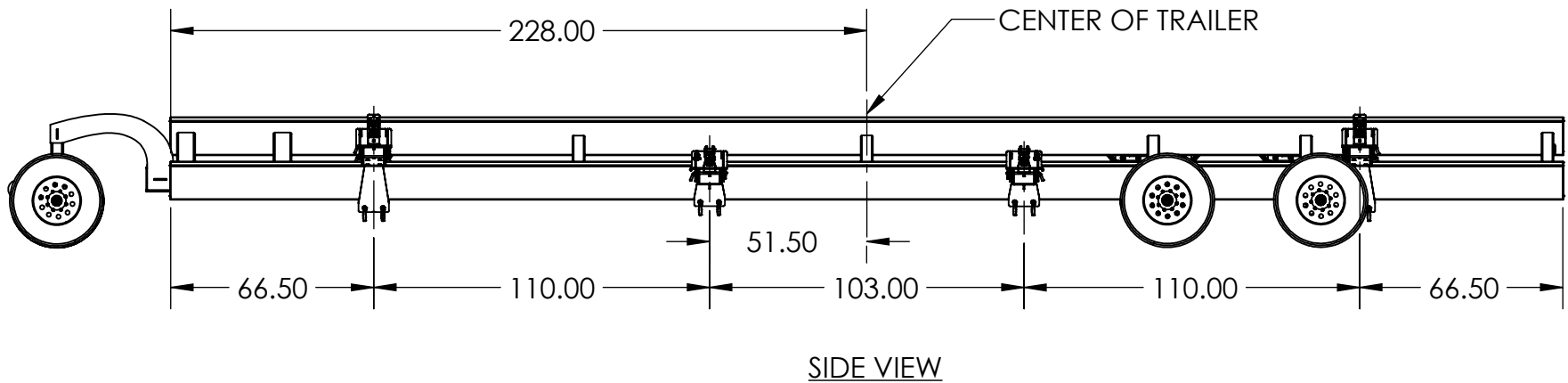
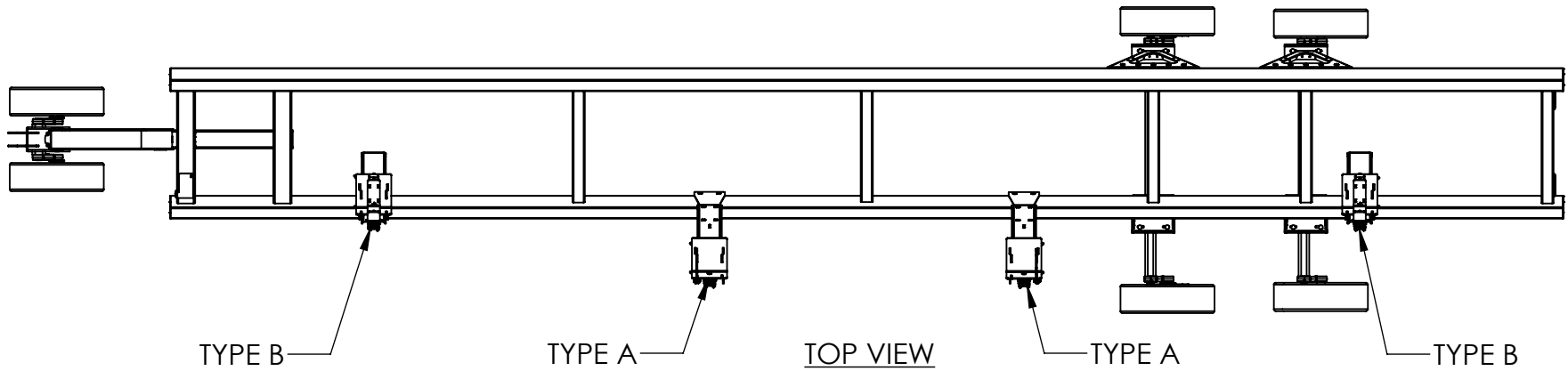


NOTES:

1. SOME COMPONENTS REMOVED FOR CLARITY.
2. MOUNT POSITIONS ARE FOR REFERENCE ONLY;
ADJUST AS NEEDED.
3. STANDARD SADDLE STOP (77-070503)
DOES NOT NEED REMOVED.



38' HINGED DRAPER LAYOUT

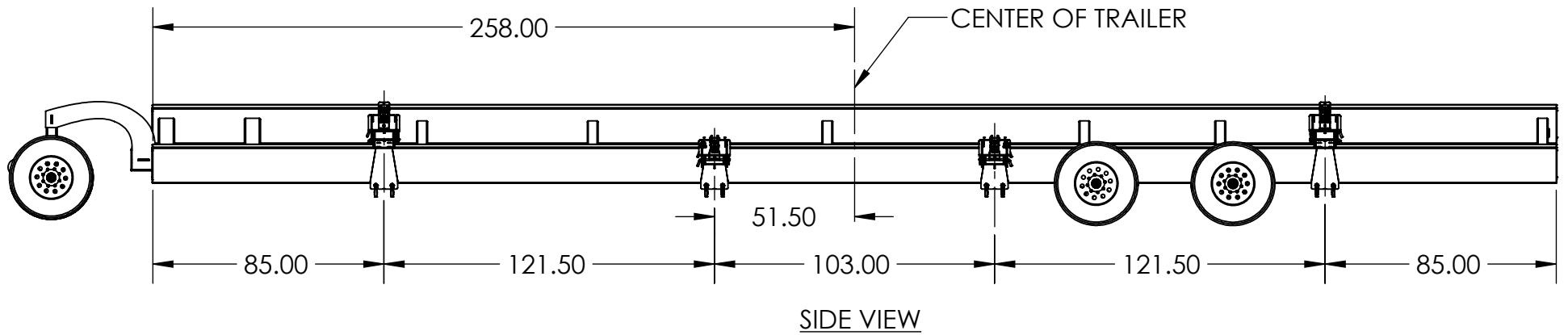
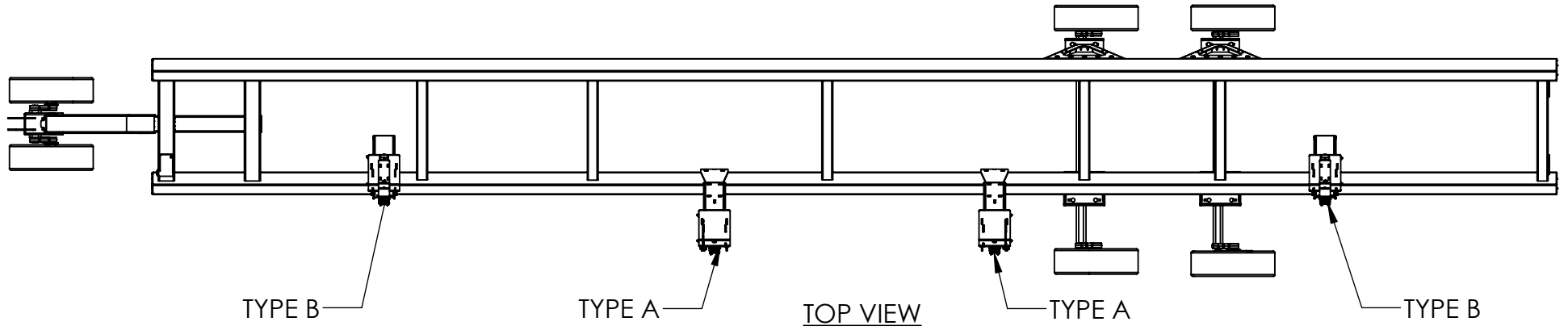


NOTES:

1. SOME COMPONENTS REMOVED FOR CLARITY.
2. DIMENSIONS ARE FOR REFERENCE ONLY;
ADJUST AS NEEDED.
3. ALL MEASUREMENTS ARE IN INCHES.



43' HINGED DRAPER LAYOUT

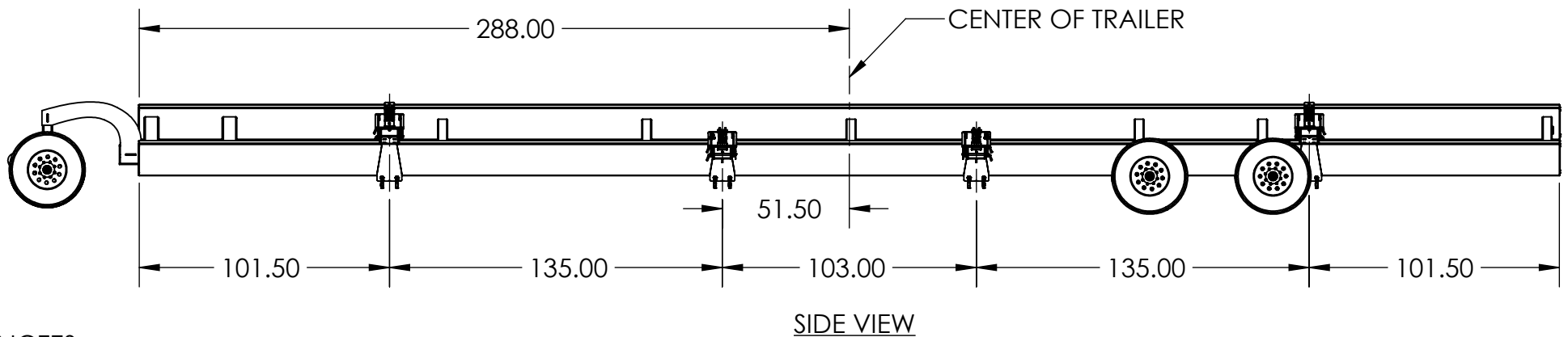
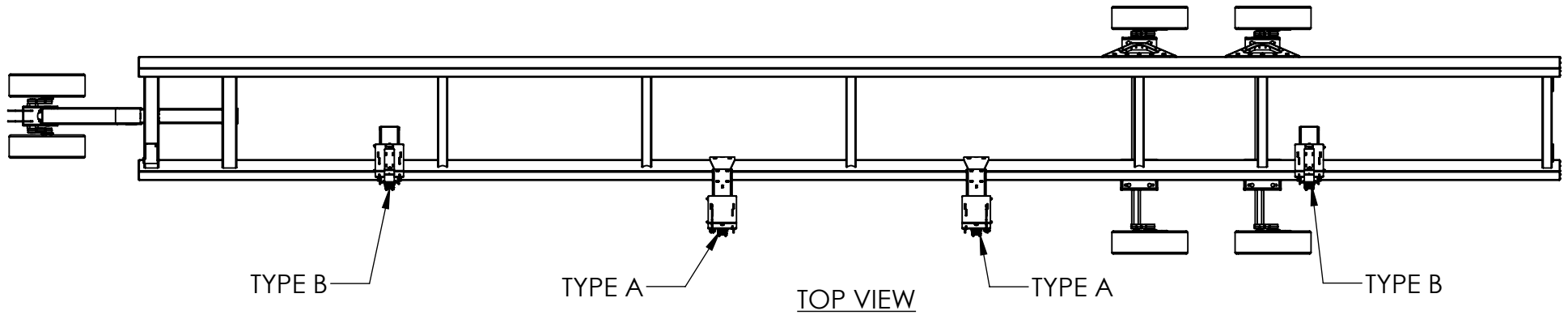


NOTES:

1. SOME COMPONENTS REMOVED FOR CLARITY.
2. DIMENSIONS ARE FOR REFERENCE ONLY;
ADJUST AS NEEDED.
3. ALL MEASUREMENTS ARE IN INCHES.



48' HINGED DRAPER LAYOUT

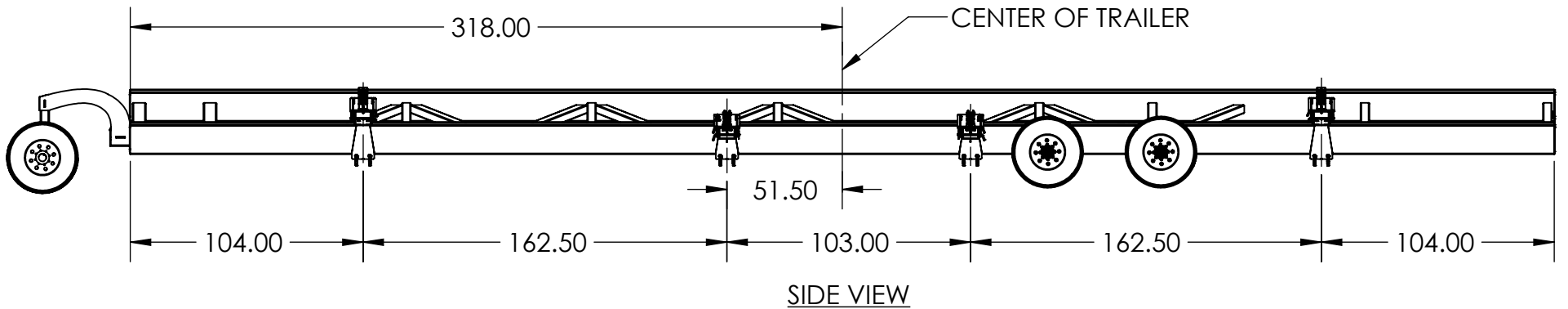
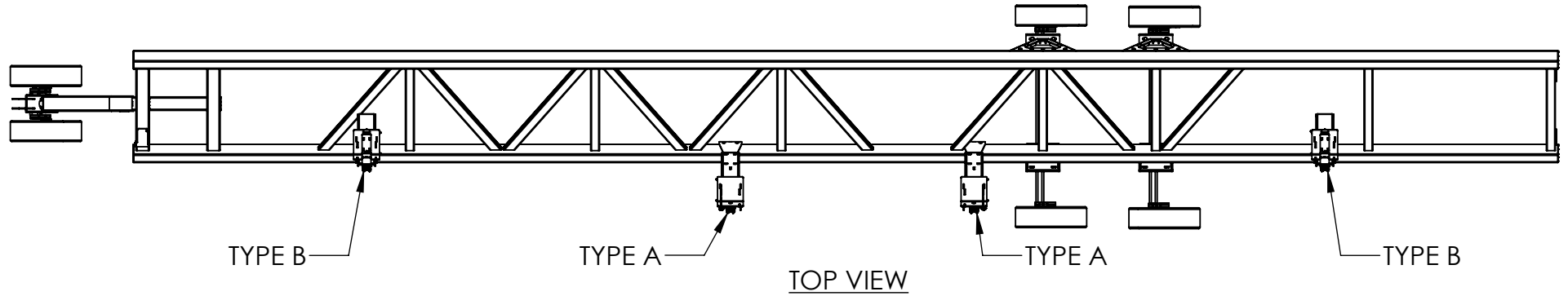


NOTES:

1. SOME COMPONENTS REMOVED FOR CLARITY.
2. DIMENSIONS ARE FOR REFERENCE ONLY;
ADJUST AS NEEDED.
3. ALL MEASUREMENTS ARE IN INCHES.



53' HINGED DRAPER LAYOUT



NOTES:

1. SOME COMPONENTS REMOVED FOR CLARITY.
2. DIMENSIONS ARE FOR REFERENCE ONLY;
ADJUST AS NEEDED.
3. ALL MEASUREMENTS ARE IN INCHES.

