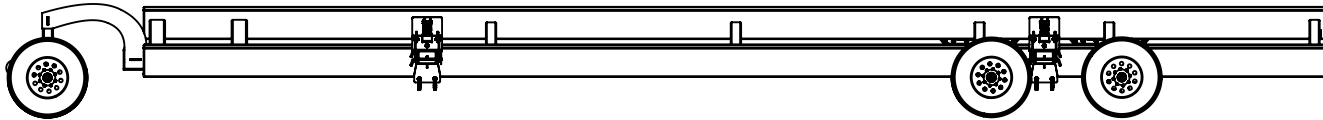


# **HEADHUNTER**

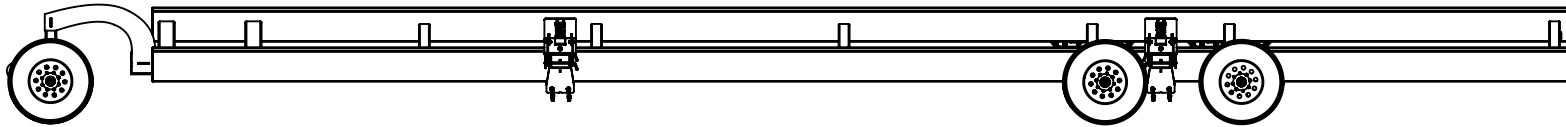
## MACDON MOUNT INSTALLATION GUIDE

COMPATIBLE WITH HEADHUNTER CLASSIC AND ARROW TRAILERS  
MACDON MOUNT REQUIRED

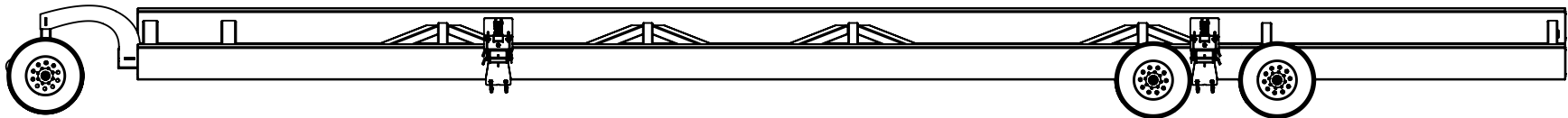
38'



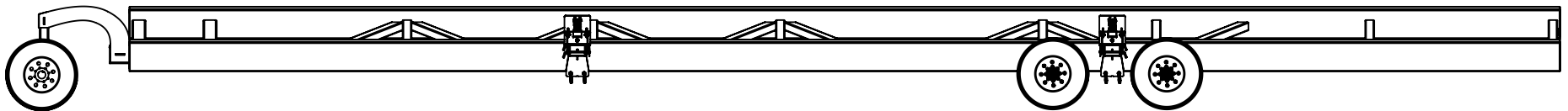
43'



48'



53'

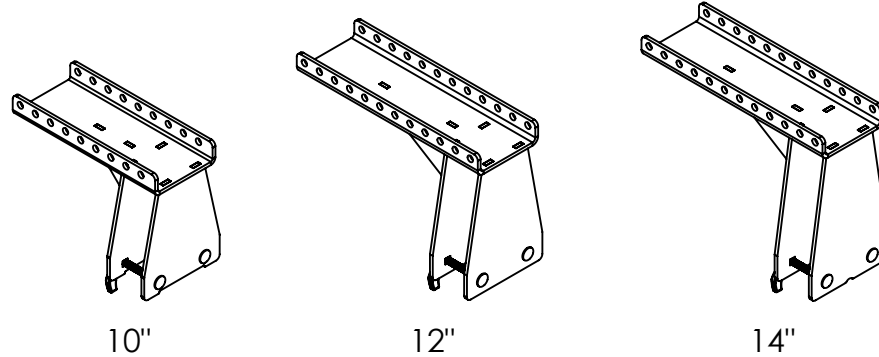


NOTES:  
1. SOME COMPONENTS REMOVED FOR CLARITY.

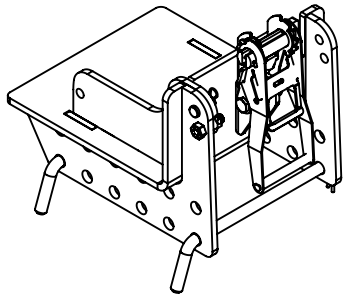


# MOUNT TYPES

STANDARD MOUNT COMES IN THREE SIZES

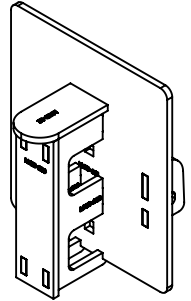
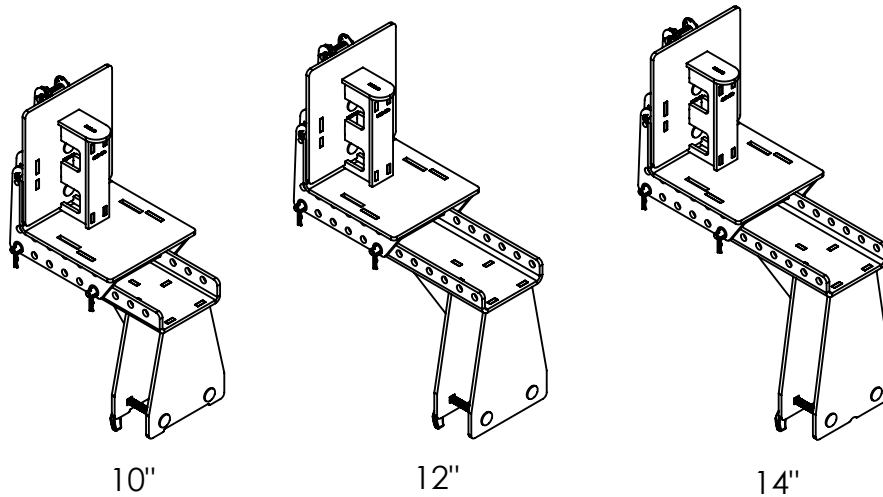


SIZE	PART NUMBER	COMPATIBLE TRAILERS
10"	77-071400	ARROW 31', 37', AND 42'
12"	77-070200	CLASSIC 24', 32', 38', AND 43'
14"	77-070300	CLASSIC 43'-14, 48', AND 53'



STANDARD SADDLE  
77-070500

MACDON MOUNT SHOWN WITH THE STANDARD SADDLE AND EACH STANDARD MOUNT



MACDON MOUNT  
67-080800


# HEADHUNTER

## MacDon Mount Instructions

### Tools Needed:

1/2" Impact gun or ratchet  
15/16" Socket  
3/4" Socket  
3/4" Wrench

### Estimated Install Time

 ≈ 30 min

(NOTE: REFERENCE THE CIRCLED PART NUMBERS ON THE FOLLOWING PAGE 3.)

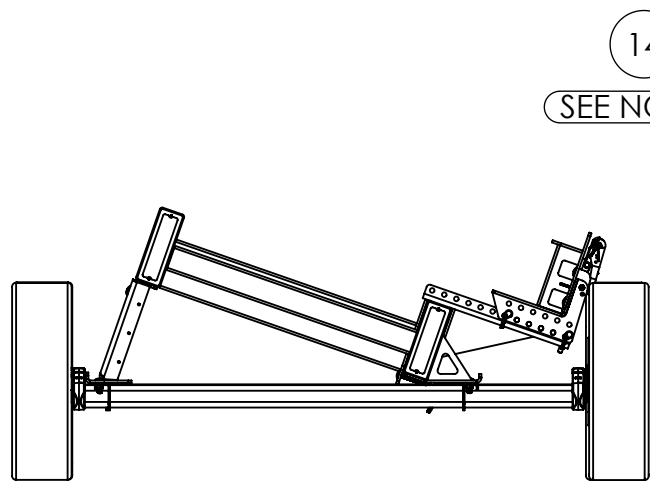
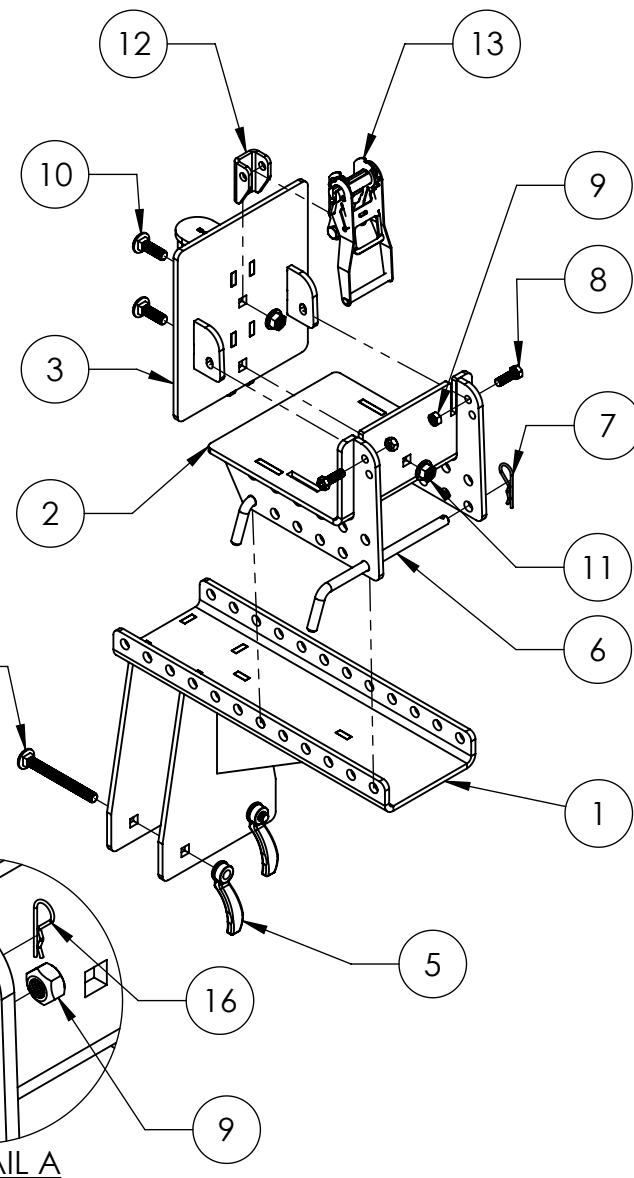
### Steps:

1. To remove the Saddle Stop (14), start by removing the Clevis Pin (15) and Bridge Pin (16).
2. Next, using a 3/4" wrench & socket loosen the Lock Nut (9) and remove both the nut and the Hex Screw (8).
3. Remove the Saddle Stop (14) and place in storage.
4. Using a 15/16" socket, remove the Ratchet (13) and Ratchet Knuckle (12) by loosening the Lock Nut (11) from the Carriage Bolt (10).  
– We will re-use this hardware in step 8.
5. Place the MacDon Mount (3) on the Saddle (2) aligned with the slots in the saddle.
6. Using a 3/4" socket & wrench, install and tighten the Hex Screw (8) with Lock Nut (9) through the Saddle (2) and the MacDon Mount (3) on both sides.
7. Using a 15/16" socket, install and tighten the Carriage Bolt (10) and Lock Nut (11) in the bottom carriage bolt hole to secure the MacDon Mount (3) to the Saddle (2).
8. Using a 15/16" socket, install the Ratchet (13) by putting the Carriage Bolt (10) through the top hole of the MacDon Mount (3) followed by the Ratchet Knuckle (12) and the Lock Nut (11).
9. Repeat this process for remaining MacDon Mounts and Saddles.

If you have questions, call Ben Sommers at 515.601.6521

# MACDON MOUNT

ITEM NO.	PART NUMBER	DESCRIPTION	QTY.
1	SEE PAGE 2	STANDARD MOUNT	1
2	77-070500	STANDARD SADDLE	1
3	67-080800	MACDON MOUNT	1
4	02-58116CBGR5ZP	5/8"-11 x 6 CARRIAGE BOLT, GRADE 5, ZINC PLATED	2
5	02-5811HNZP	5/8" HANDLE NUT, ZINC PLATED	2
6	02-581012BPN	5/8" x 10 1/2" BRIDGE PIN	2
7	02-BP210	BRIDGE PIN 210	2
8	02-1220112HHCS	1/2"-20 x 1 1/2" HEX HEAD CAP SCREW	2
9	02-1220LN	1/2"-20 LOCK NUT	2
10	02-58112CBGR5	5/8"-11 x 2" CARRIAGE BOLT, GRADE 5	2
11	02-5811CLNZP	5/8"-11 CROWN LOCK NUT, ZINC PLATED	2
12	77-070504	RACHET KNUCKLE	1
13	02-RAT50	RATCHET	1
14	77-070504	SADDLE STOP (FLIPPER)	1
15	02-12112CLEVISZP	1/2" x 1 1/2" CLEVIS PIN	1
16	02-BP222	BRIDGE PIN 222	1



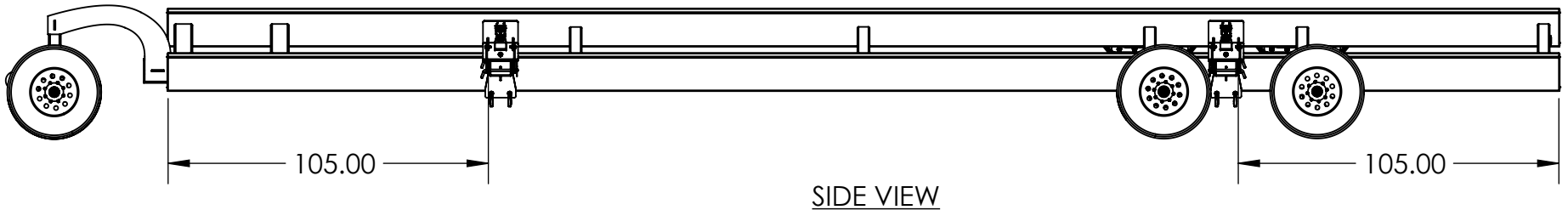
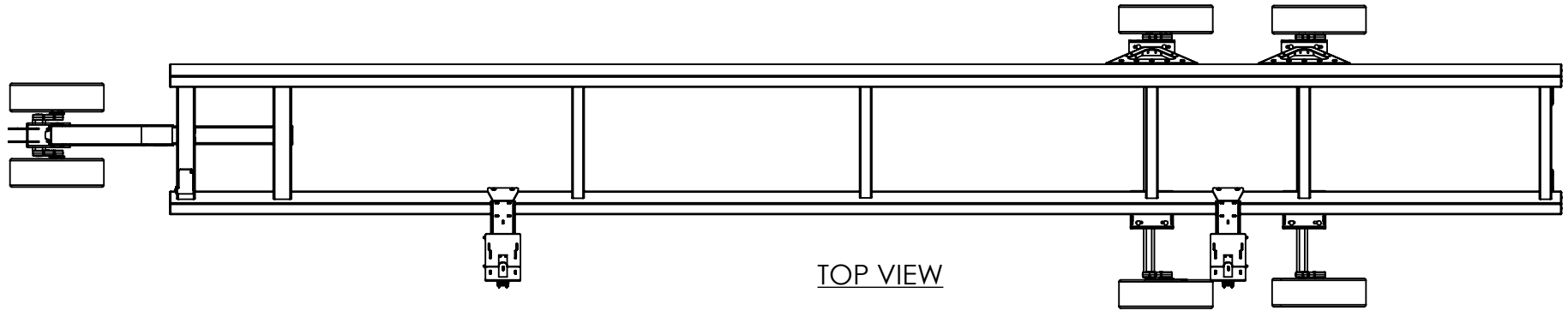
VIEW ON TRAILER

**NOTES:**

1. SOME COMPONENTS REMOVED FOR CLARITY.
2. THE SADDLE STOP COMES WITH THE STANDARD SADDLE BUT NOT WITH THE MACDON MOUNT. WILL NEED REMOVED FOR MACDON INSTALLATION.



# 38' MACDON LAYOUT

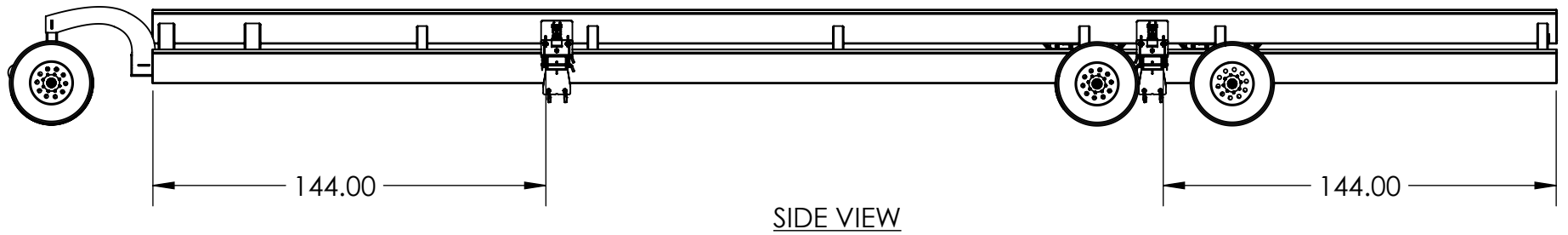
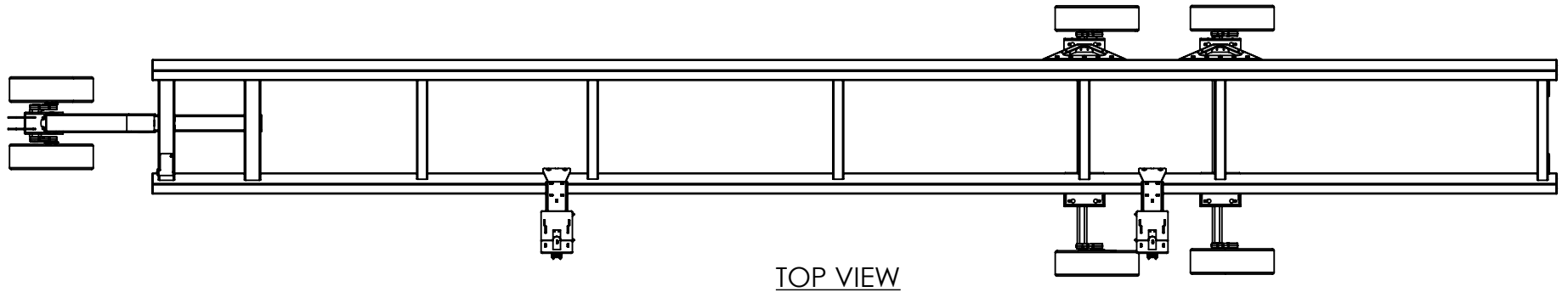


## NOTES:

1. SOME COMPONENTS REMOVED FOR CLARITY.
2. DIMENSIONS ARE FOR REFERENCE ONLY;  
ADJUST AS NEEDED.
3. ALL MEASUREMENTS ARE IN INCHES.



# 43' MACDON LAYOUT

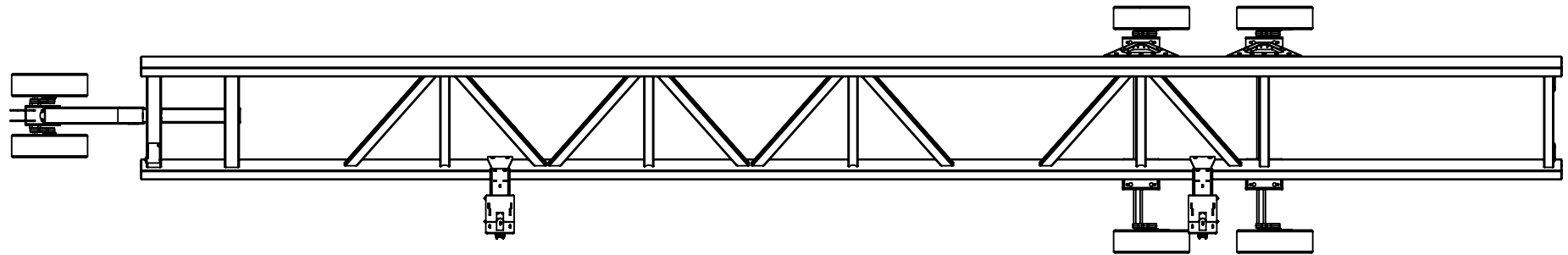


## NOTES:

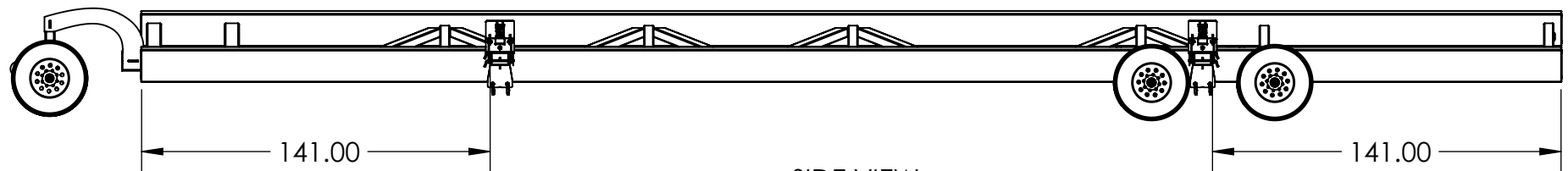
1. SOME COMPONENTS REMOVED FOR CLARITY.
2. DIMENSIONS ARE FOR REFERENCE ONLY;  
ADJUST AS NEEDED.
3. ALL MEASUREMENTS ARE IN INCHES.



# 48' MACDON LAYOUT



TOP VIEW



SIDE VIEW

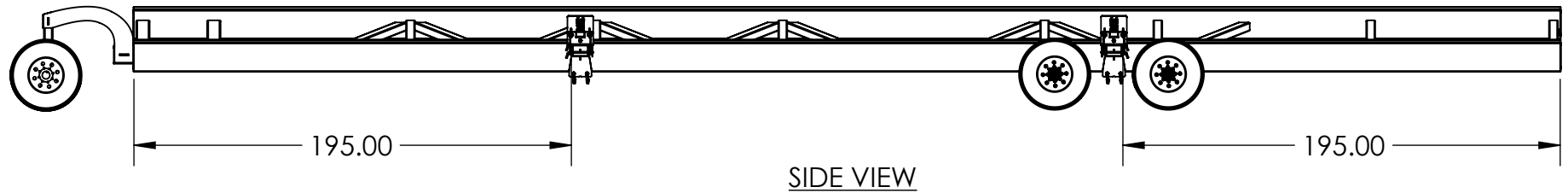
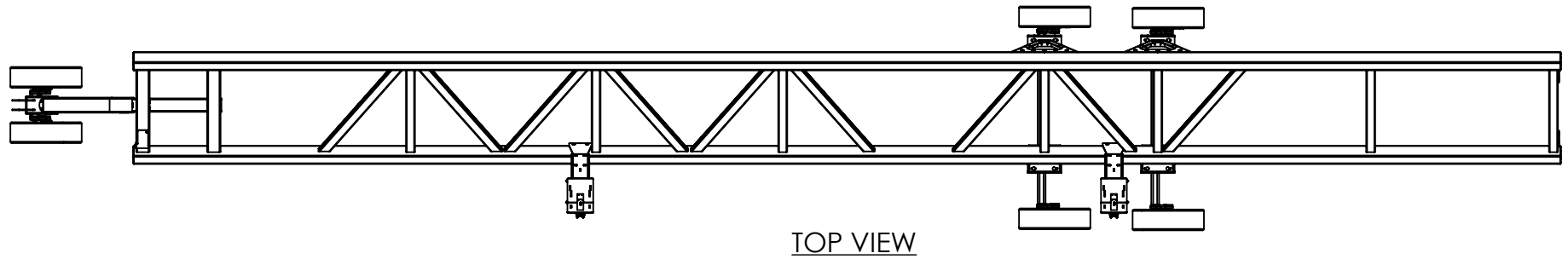
## NOTES:

1. SOME COMPONENTS REMOVED FOR CLARITY.
2. DIMENSIONS ARE FOR REFERENCE ONLY;  
ADJUST AS NEEDED.
3. ALL MEASUREMENTS ARE IN INCHES.





# 53' MACDON LAYOUT



## NOTES:

1. SOME COMPONENTS REMOVED FOR CLARITY.
2. DIMENSIONS ARE FOR REFERENCE ONLY;  
ADJUST AS NEEDED.
3. ALL MEASUREMENTS ARE IN INCHES.

