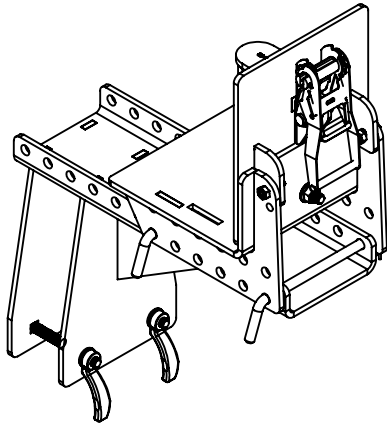


# **HEADHUNTER**

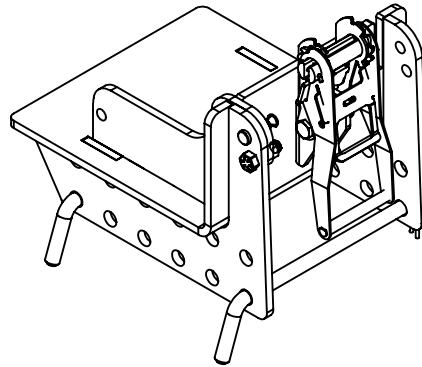
## MACDON INSTALLATION GUIDE



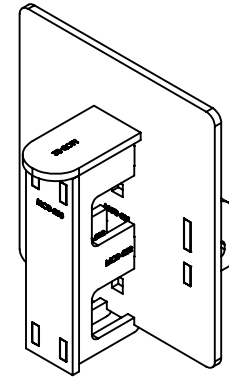
# MOUNT TYPES



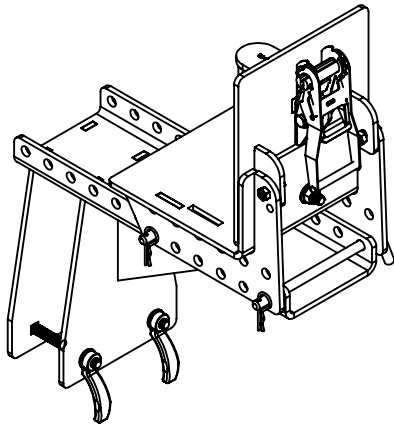
MACDON LEFT  
87-MACD



STANDARD SADDLE  
77-070500

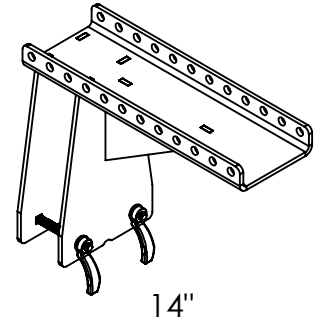
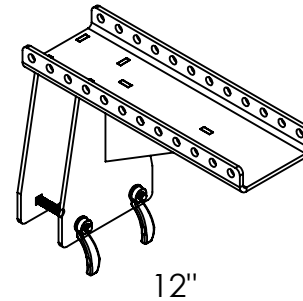
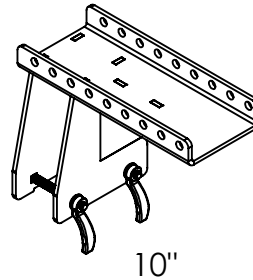


MACDON MOUNT  
67-080800



MACDON RIGHT  
87-MACD

## STANDARD MOUNT COMES IN 3 SIZES



| SIZE | PART NUMBER | COMPATIBLE TRAILERS                |
|------|-------------|------------------------------------|
| 10"  | 77-071400   | ARROW 31', 37', AND 42'            |
| 12"  | 77-070200   | CLASSIC/PRO 24', 32', 38', AND 43' |
| 14"  | 77-070300   | CLASSIC/PRO 43'-14, 48', AND 53'   |


# HEADHUNTER

## MacDon Bracket Adapter Instructions

### Tools Needed:

1/2" Impact gun or ratchet  
15/16" Socket  
3/4" Socket  
3/4" Wrench

### Estimated Install Time

 ≈ 30 min

(NOTE: REFERENCE THE CIRCLED PART NUMBERS ON THE FOLLOWING PAGE 3.)

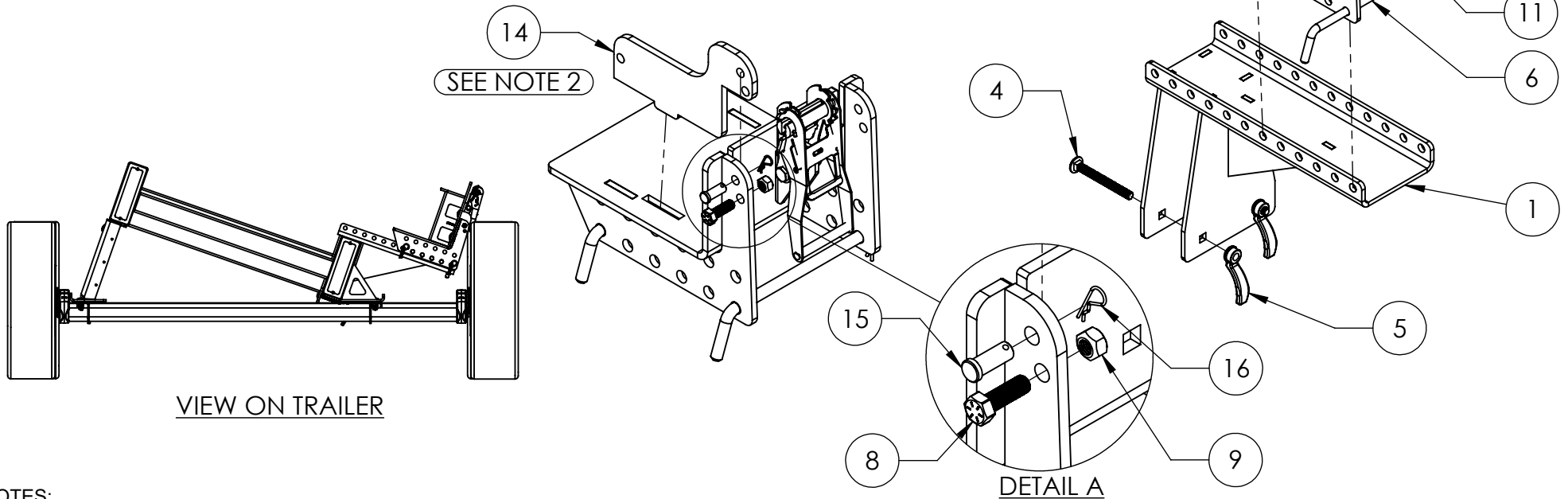
### Steps:

1. To remove the Saddle Stop (14), start by removing the Clevis Pin (15) and Bridge Pin (16).
2. Next, using a 3/4" wrench & socket loosen the Lock Nut (9) and remove both the nut and the Hex Screw (8).
3. Remove the Saddle Stop (14) and place in storage.
4. Using a 15/16" socket, remove the Ratchet (13) and Ratchet Knuckle (12) by loosening the Lock Nut (11) from the Carriage Bolt (10).  
– We will re-use this hardware in step 8.
5. Place the MacDon Mount (3) on the Saddle (2) aligned with the slots in the saddle.
6. Using a 3/4" socket & wrench, install and tighten the Hex Screw (8) with Lock Nut (9) through the Saddle (2) and the MacDon Mount (3) on both sides.
7. Using a 15/16" socket, install and tighten the Carriage Bolt (10) and Lock Nut (11) in the bottom carriage bolt hole to secure the MacDon Mount (3) to the Saddle (2).
8. Using a 15/16" socket, install the Ratchet (13) by putting the Carriage Bolt (10) through the top hole of the MacDon Mount (3) followed by the Ratchet Knuckle (12) and the Lock Nut (11).
9. Repeat this process for remaining MacDon Mounts and Saddles.

If you have questions, call Ben Sommers at 515.601.6521

# MACDON MOUNT

| ITEM NO. | PART NUMBER      | DESCRIPTION                                     | QTY. |
|----------|------------------|---|------|
| 1        | SEE PAGE 1       | STANDARD MOUNT                                  | 1    |
| 2        | 77-070500        | STANDARD SADDLE                                 | 1    |
| 3        | 67-080800        | MACDON MOUNT                                    | 1    |
| 4        | 02-58116CBGR5ZP  | 5/8"-11 x 6 CARRIAGE BOLT, GRADE 5, ZINC PLATED | 2    |
| 5        | 02-5811HNZP      | 5/8" HANDLE NUT, ZINC PLATED                    | 2    |
| 6        | 02-581012BPN     | 5/8" x 10 1/2" BRIDGE PIN                       | 2    |
| 7        | 02-BP210         | BRIDGE PIN 210                                  | 2    |
| 8        | 02-1220112HHCS   | 1/2"-20 x 1 1/2" HEX HEAD CAP SCREW             | 2    |
| 9        | 02-1220LN        | 1/2"-20 LOCK NUT                                | 2    |
| 10       | 02-58112CBGR5    | 5/8"-11 x 2" CARRIAGE BOLT, GRADE 5             | 2    |
| 11       | 02-5811CLNZP     | 5/8"-11 CROWN LOCK NUT, ZINC PLATED             | 2    |
| 12       | 77-070504        | RACHET KNUCKLE                                  | 1    |
| 13       | 02-RAT50         | RATCHET   | 1    |
| 14       | 77-070504        | SADDLE STOP (FLIPPER)                           | 1    |
| 15       | 02-12112CLEVISZP | 1/2" x 1 1/2" CLEVIS PIN                        | 1    |
| 16       | 02-BP222         | BRIDGE PIN 222                                  | 1    |



**NOTES:**

1. SOME COMPONENTS REMOVED FOR CLARITY.
2. THE SADDLE STOP COMES WITH THE STANDARD SADDLE BUT NOT WITH THE MACDON MOUNT. WILL NEED REMOVED FOR MACDON INSTALLATION.

