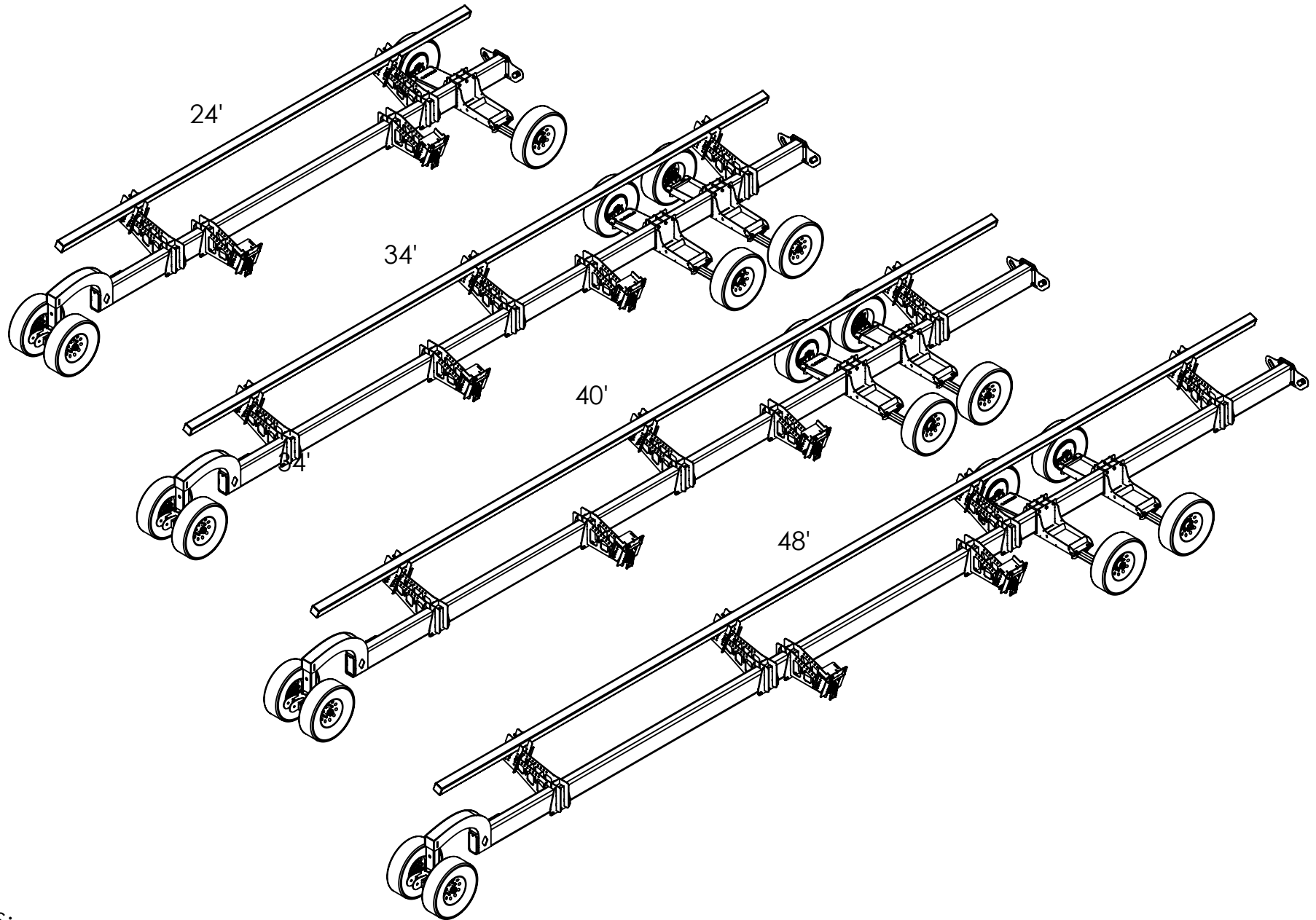


HEADHUNTER

STANDARD ARM INSTALLATION GUIDE WARRIOR



COMPATIBLE WITH HEADHUNTER WARRIOR TRAILERS

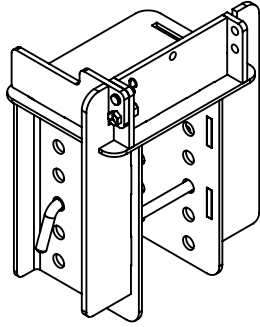


NOTES:

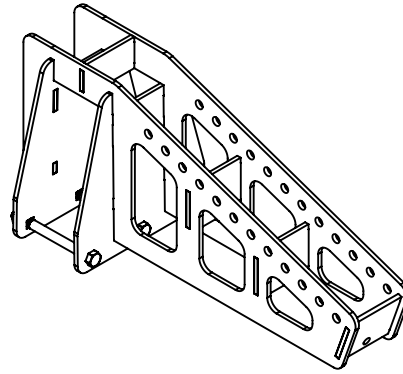
1. SOME COMPONENTS REMOVED FOR CLARITY.
2. MOUNT POSITIONS ARE FOR REFERENCE ONLY;
ADJUST AS NEEDED.



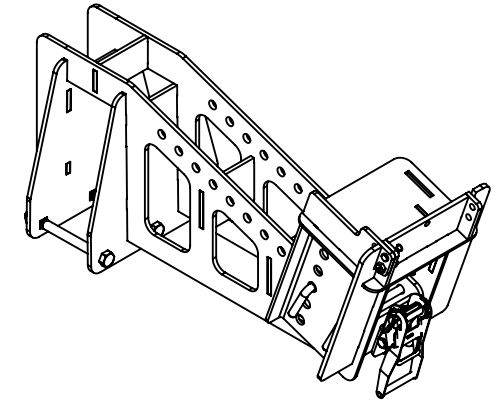
ARM, MOUNT, AND SADDLE ASSEMBLIES



STANDARD SADDLE
77-071200

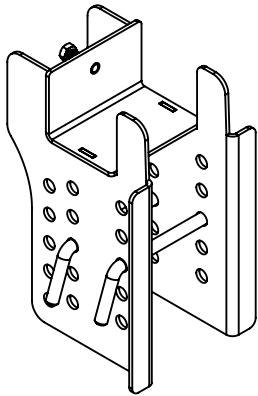


STANDARD LOW SIDE ARM
77-070900

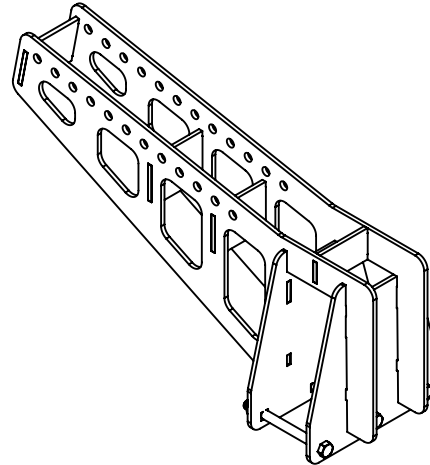


STANDARD LOW SIDE ARM ASSEMBLY
87-011500

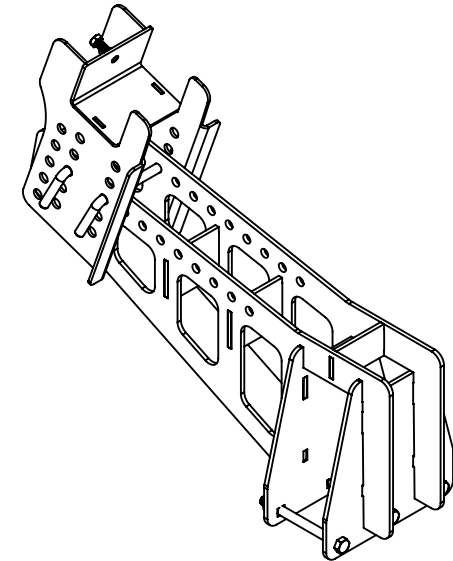
1



STANDARD UPPER TUBE MOUNT
77-071000



STANDARD HIGH SIDE ARM
77-070800



STANDARD HIGH SIDE ARM ASSEMBLY
87-011600

2

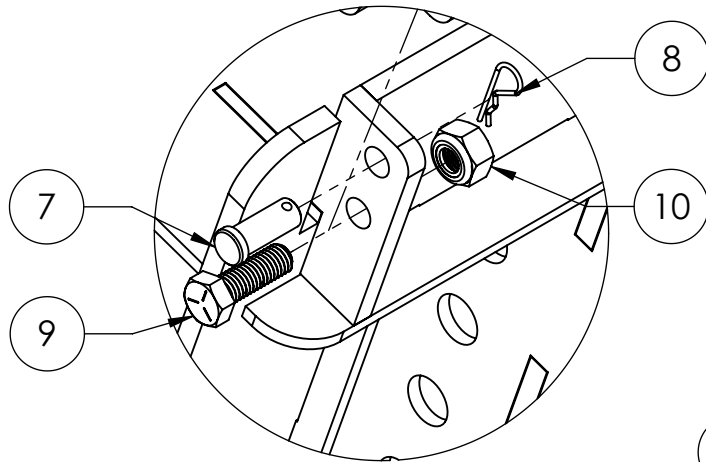
NOTES:

1. MOUNT POSITIONS ARE FOR REFERENCE ONLY; ADJUST AS NEEDED.
2. 1 AND 2 ARE FOR REFERENCE ON PAGES 05-08.

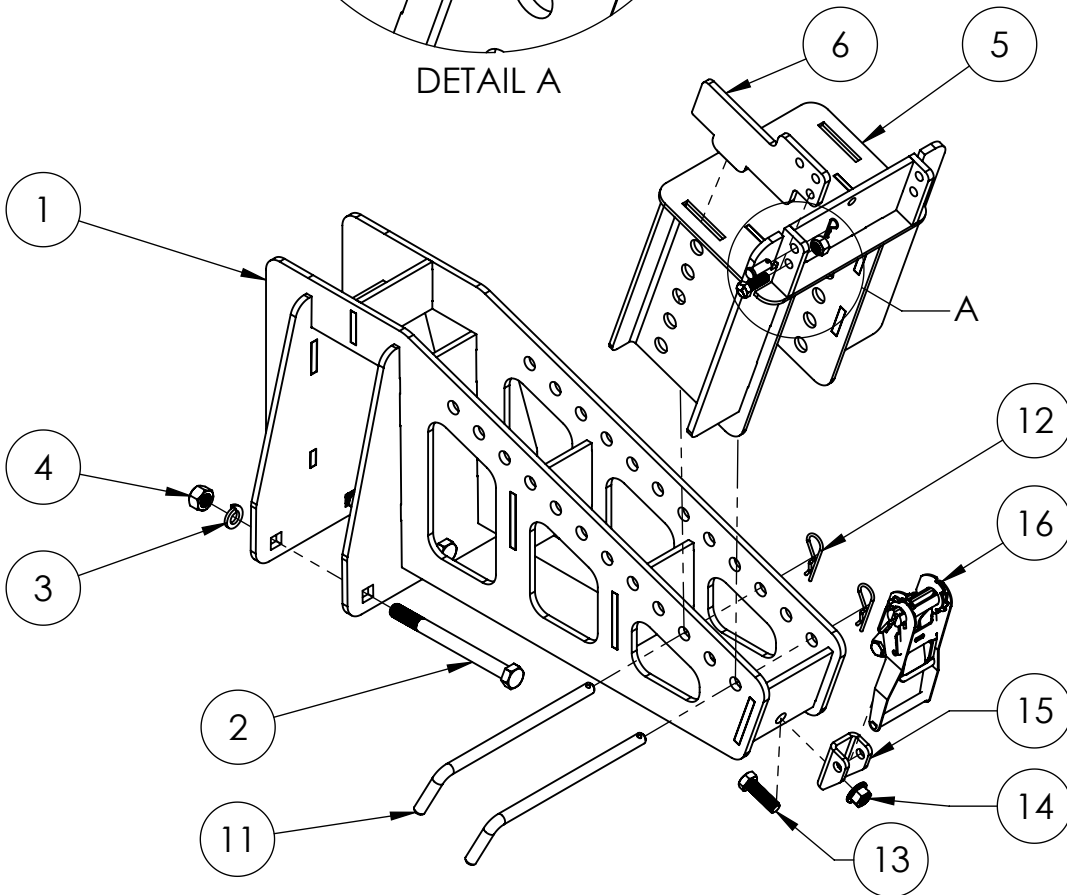


STANDARD LOW SIDE ARM

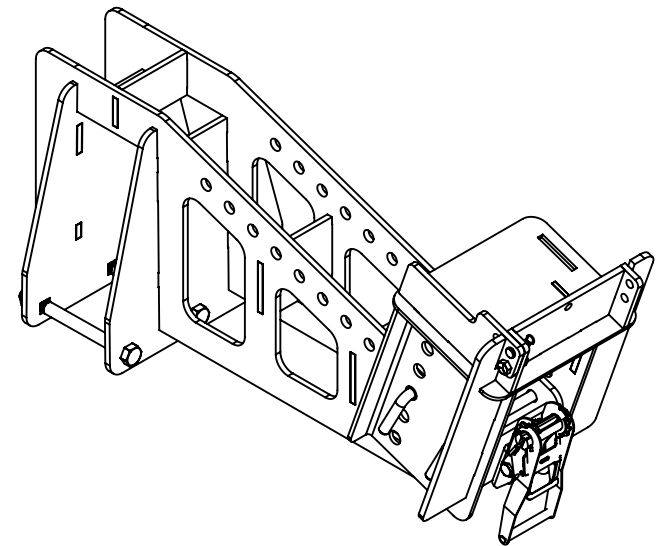
87-071500



DETAIL A



ITEM NO.	DESCRIPTION	QTY.
1	STANDARD LOW SIDE ARM WELDMENT	1
2	3/4"-10 X 8 1/2" HEX HEAD CAP SCREW	3
3	3/4" LOCK WASHER	3
4	3/4"-10 NUT	3
5	STANDARD SADDLE WELDMENT, WARRIOR	1
6	SADDLE STOP, WARRIOR	1
7	1/2" X 1 1/2" CLEVIS PIN	1
8	1/16" x 1 5/16" BRIDGE PIN ZP	1
9	1/2" X 13 X 1 1/2" HEX HEAD CAP SCREW	1
10	1/2" X 13 CROWN LOCK NUT	1
11	5/8" X 10 1/2" BENT PIN	2
12	BRIDGE PIN 210	2
13	5/8"-11 X 2" HEX HEAD CAP SCREW	1
14	5/8"-11 CROWN LOCK NUT, ZINC PLATED	1
15	RATCHET KNUCKLE	1
16	RATCHET	1



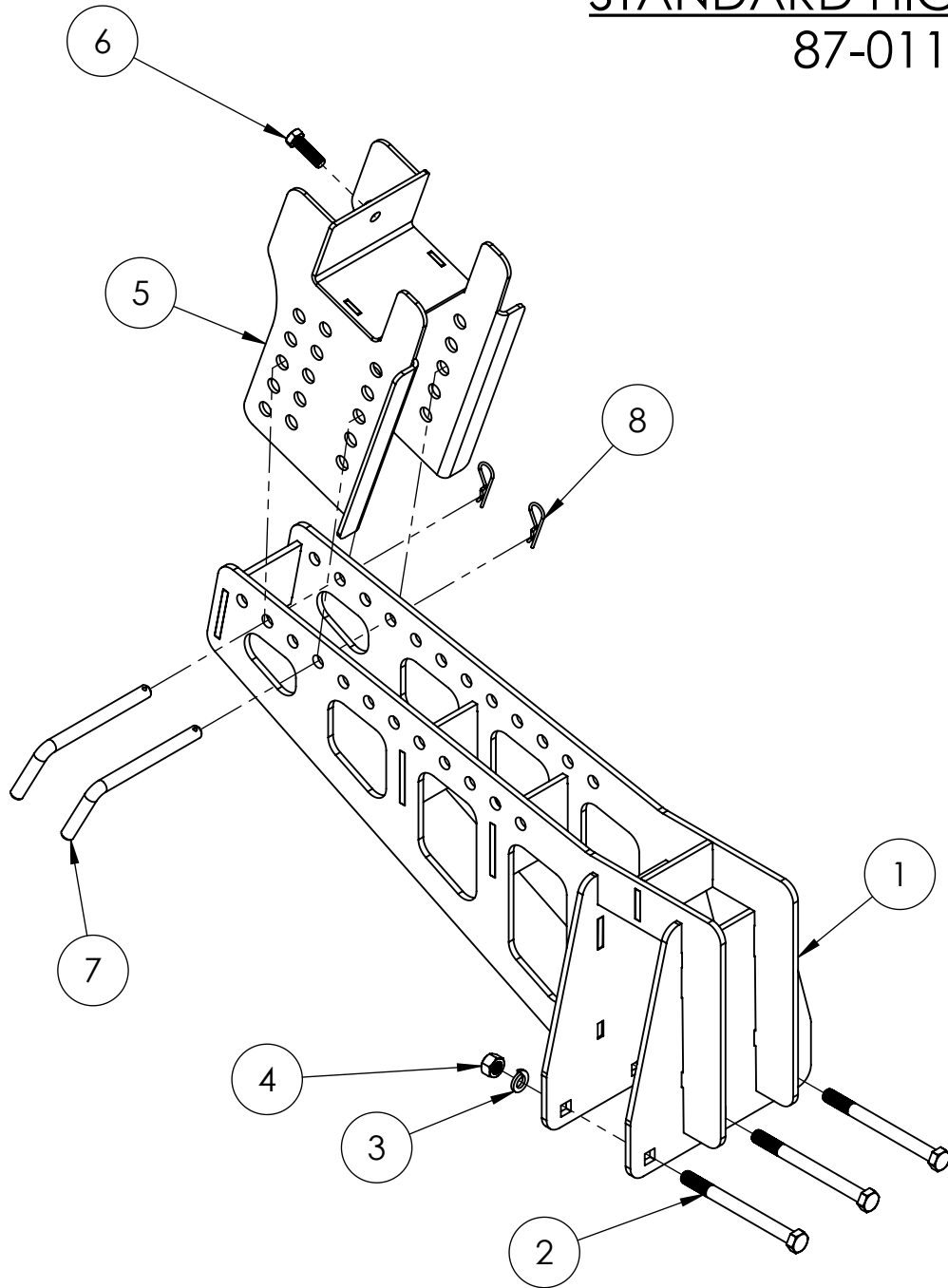
NOTES:

1. MOUNT POSITIONS ARE FOR REFERENCE ONLY; ADJUST AS NEEDED.

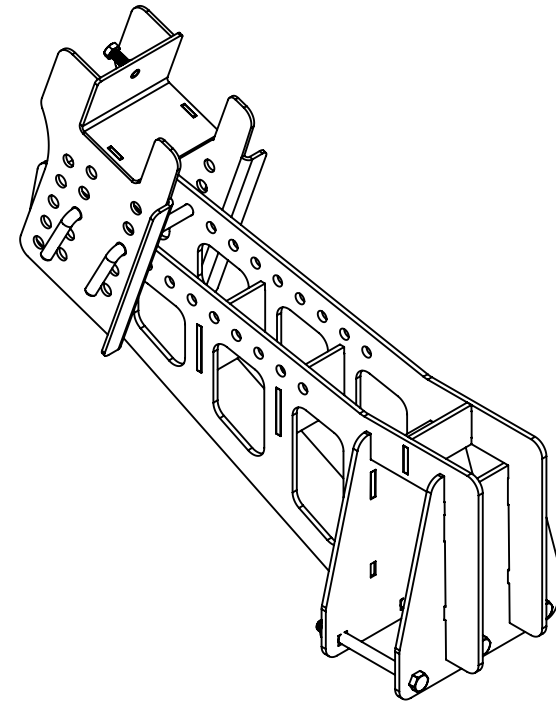


STANDARD HIGH SIDE ARM

87-011600



ITEM NO.	DESCRIPTION	QTY.
1	STANDARD HIGH SIDE ARM WELDMENT	1
2	3/4"-10 X 8 1/2" HEX HEAD CAP SCREW	3
3	3/4" LOCK WASHER	3
4	3/4"-10 NUT	3
5	HIGH SIDE TUBE MOUNT WELDMENT	1
6	5/8"-11 X 2" HEX HEAD CAP SCREW	1
7	3/4" x 7 1/2" BENT PIN	2
8	COTTER PIN .148 DIA.	2



NOTES:

1. MOUNT POSITIONS ARE FOR REFERENCE ONLY; ADJUST AS NEEDED.



HEADHUNTER

LOW SIDE ARM AND SADDLE INSTRUCTIONS

TOOLS NEEDED:

15/16" SOCKET AND RATCHET
3/4" SOCKET AND RATCHET
3/4" COMBINATION WRENCH
1/2" IMPACT GUN OR RATCHET

Estimated Install Time



(NOTE: REFERENCE THE CIRCLED PART NUMBERS ON PAGE 03.)

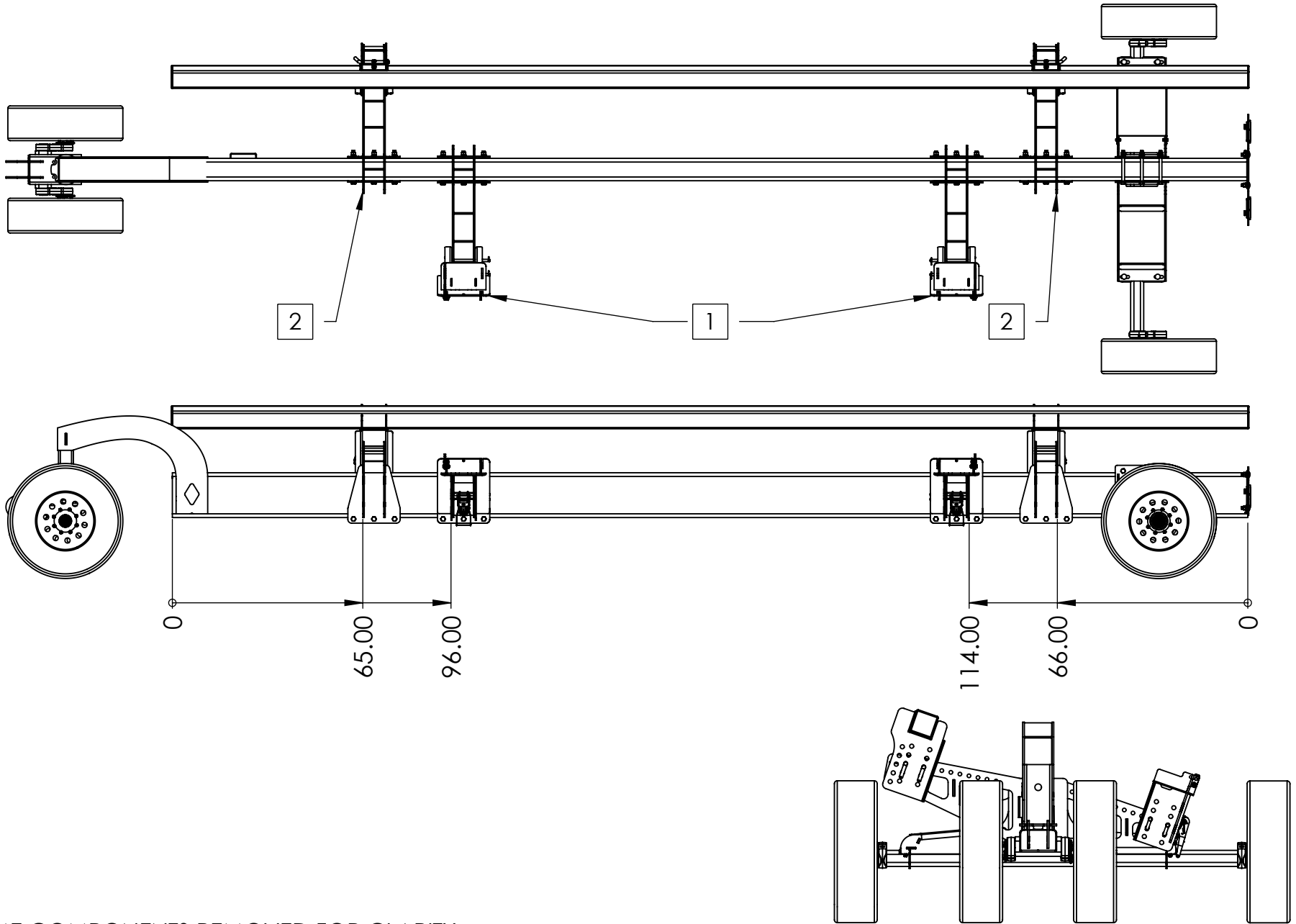
STEPS:

1. Remove preinstalled hardware: 3/4" hex head cap screw (2), 3/4" lock washer (3), and the 3/4" nut (4) from the Standard Arm (1).
2. Using mount location references in the following pages 05 - 08, set each mount in the general locations shown.
3. Reinstall the bolts, washers, and nuts removed in Step 1 back on the bottom of the Standard Arm (1). Tighten when complete.
4. Repeat Steps 1 - 3 for all Standard Arms (1).
5. For the Standard Saddle (5) placement on the Standard Low Side Arm (1), reference page 02.
6. The Pins (11) and (12) can be removed from the Saddle (5) to adjust the saddle location on the Standard Arm (1).
7. The location of the Saddle Stop (6) can be moved to either the left or right side of the saddle.
8. All Arms and Saddles may need moved for ideal head placement.

If you have questions, call Ben Sommers at 515.601.6521



24' HEADHUNTER WARRIOR LAYOUT

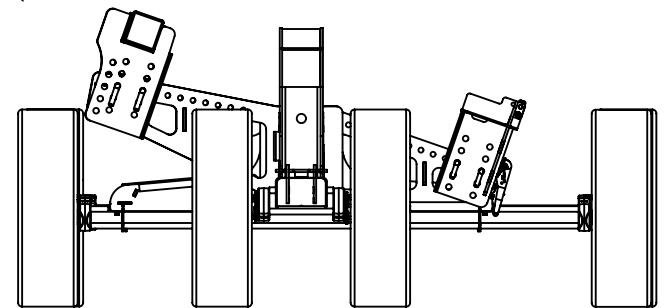
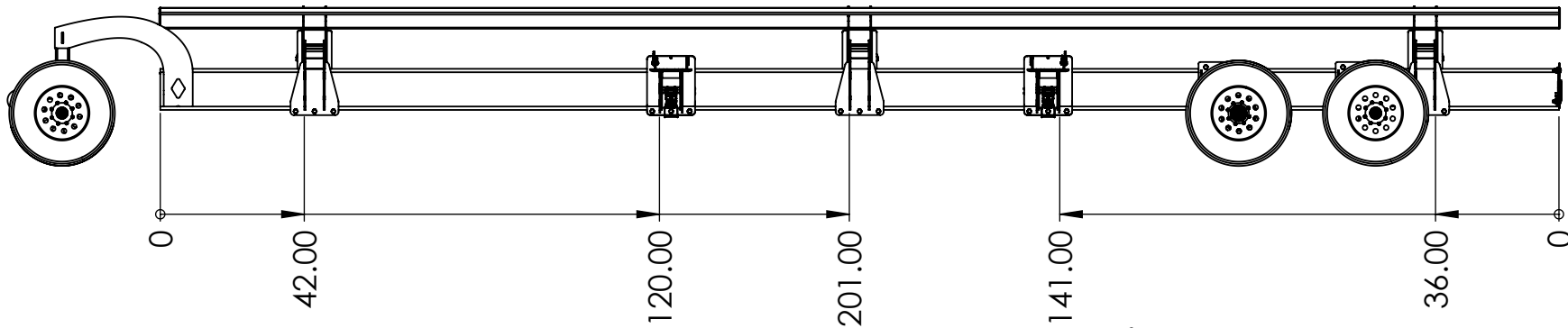
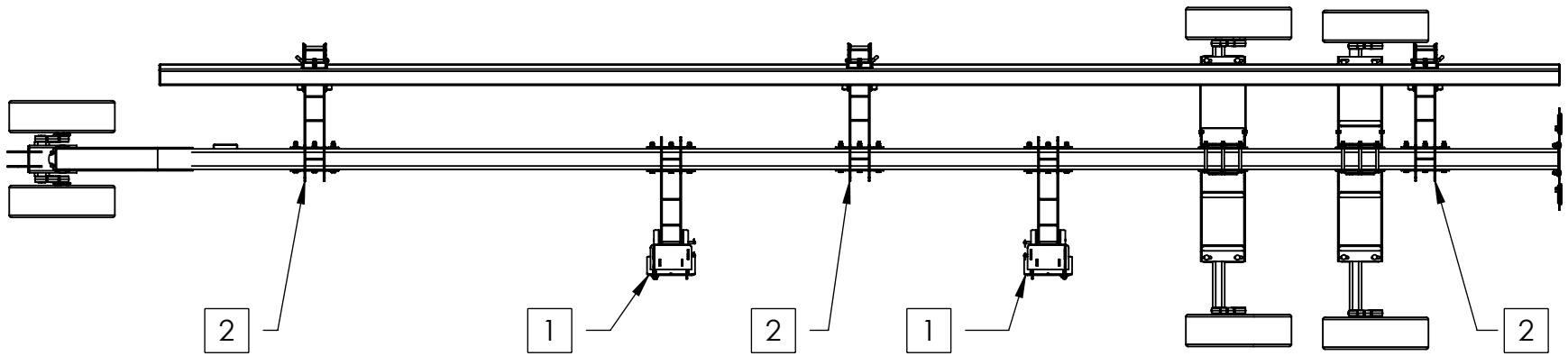


NOTES:

1. SOME COMPONENTS REMOVED FOR CLARITY.
2. DIMENSIONS ARE FOR REFERENCE ONLY;
ADJUST AS NEEDED.
3. ALL MEASUREMENTS ARE IN INCHES.



34' HEADHUNTER WARRIOR LAYOUT

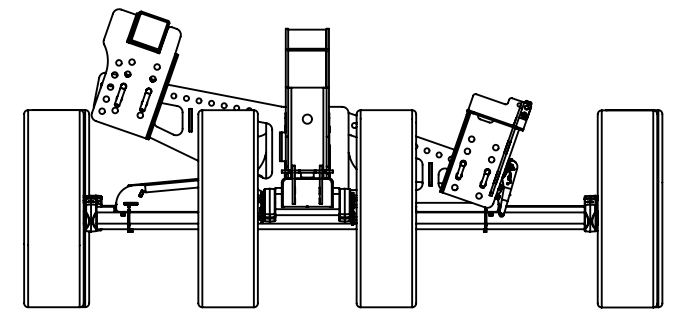
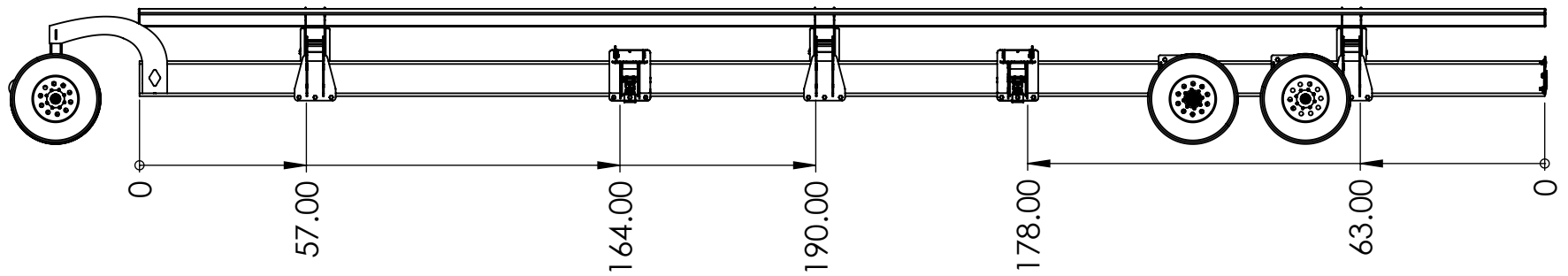
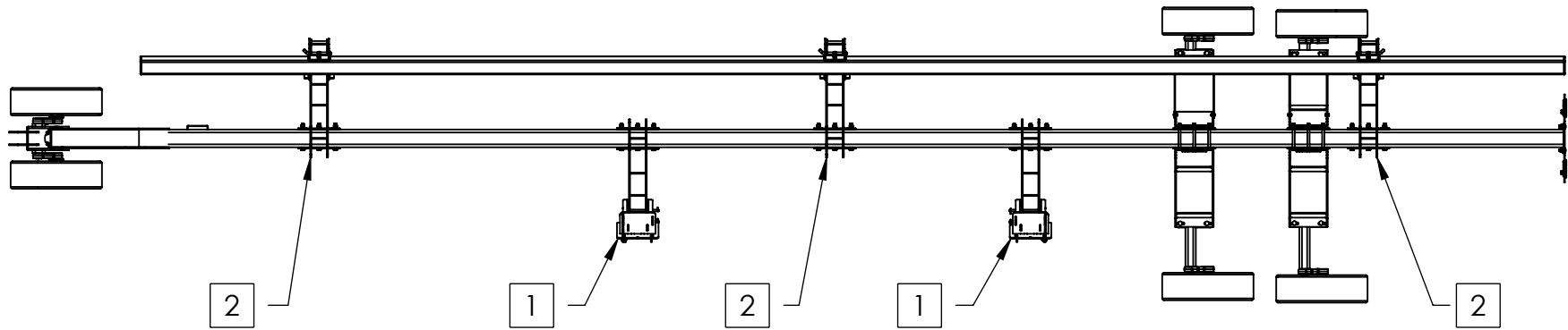


NOTES:

1. SOME COMPONENTS REMOVED FOR CLARITY.
2. DIMENSIONS ARE FOR REFERENCE ONLY;
ADJUST AS NEEDED.
3. ALL MEASUREMENTS ARE IN INCHES.



40' HEADHUNTER WARRIOR LAYOUT

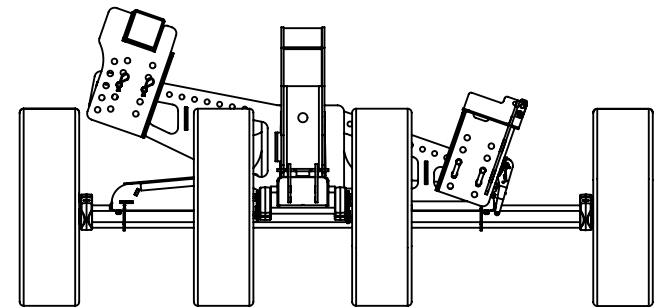
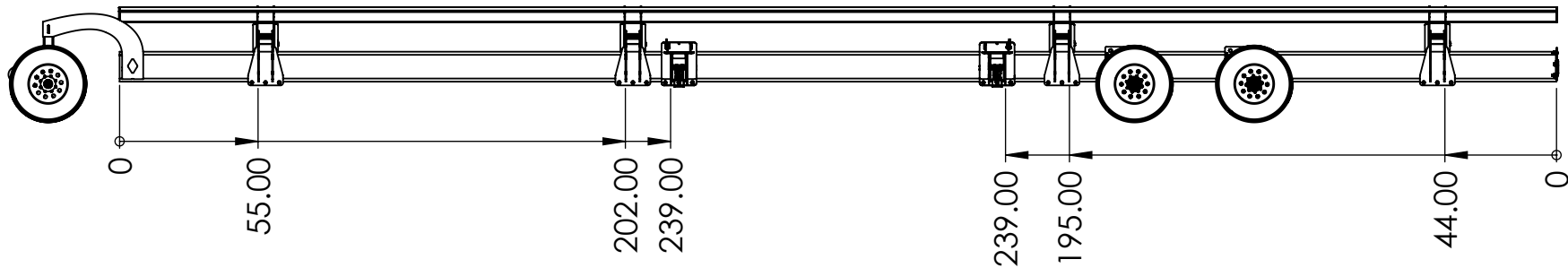
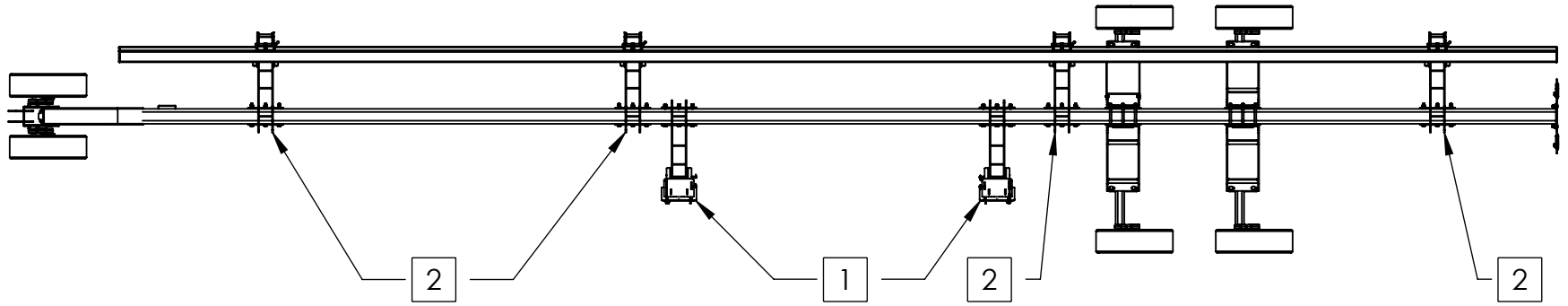


NOTES:

1. SOME COMPONENTS REMOVED FOR CLARITY.
2. DIMENSIONS ARE FOR REFERENCE ONLY;
ADJUST AS NEEDED.
3. ALL MEASUREMENTS ARE IN INCHES.



48' HEADHUNTER WARRIOR LAYOUT



NOTES:

1. SOME COMPONENTS REMOVED FOR CLARITY.
2. DIMENSIONS ARE FOR REFERENCE ONLY;
ADJUST AS NEEDED.
3. ALL MEASUREMENTS ARE IN INCHES.

