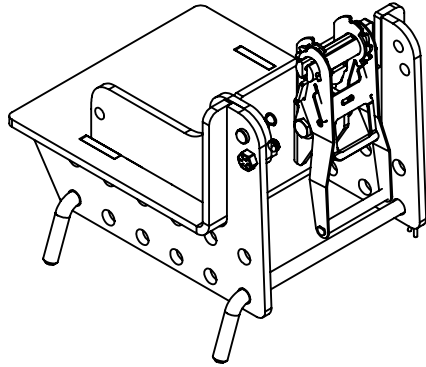


HEADHUNTER

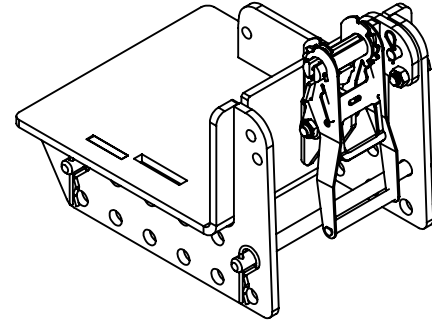
STANDARD MOUNT AND SADDLE INSTALLATION GUIDE

DOSE

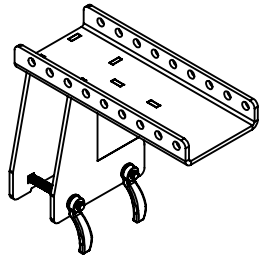
STANDARD MOUNTS AND SADDLES



PART #: 77-070500
STANDARD SADDLE, LEFT



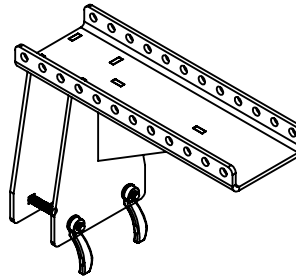
PART #: 77-070500
STANDARD SADDLE, RIGHT



10" MOUNT
(9 HOLE)

PART NUMBER:
77-071400

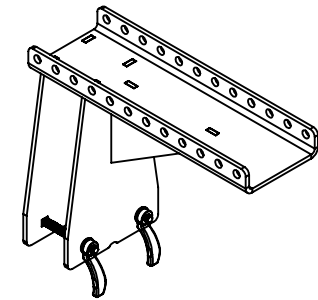
COMPATIBLE WITH:
ALL ARROW TRAILERS



12" MOUNT
(12 HOLE)

PART NUMBER:
77-070200

COMPATIBLE WITH:
CLASSIC: 24', 32', 38', and 43'
PRO: 32', 38', and 43'



14" MOUNT
(12 HOLE)

PART NUMBER:
77-070300

COMPATIBLE WITH:
CLASSIC: 43'-14, 48', and 53'
PRO: 48' and 53'

NOTE:

1. STANDARD SADDLE WORKS ON ALL MOUNTS.
2. IF UNSURE WHAT SIZE MOUNT IS NEEDED,
MEASURE THE TUBES ON THE TRAILERS FRAME.




HEADHUNTER

SADDLE AND MOUNT INSTRUCTIONS

TOOLS NEEDED:

15/16" SOCKET
3/4" SOCKET
3/4" COMBINATION WRENCH
1/2" IMPACT GUN OR RATCHET

Estimated Install Time

 ≈ 30 min

(NOTE: REFERENCE THE CIRCLED PART NUMBERS ON PAGES 3 AND 4.)

STEPS:

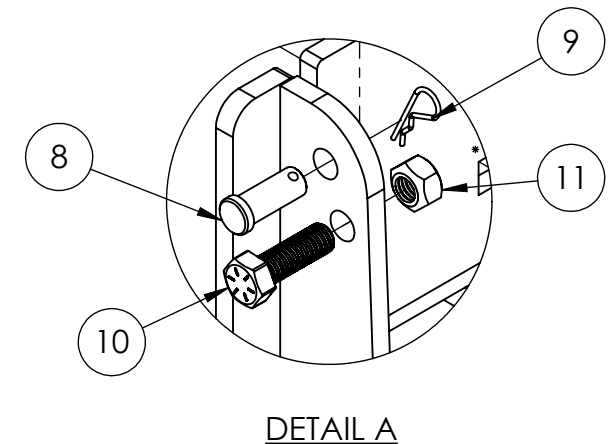
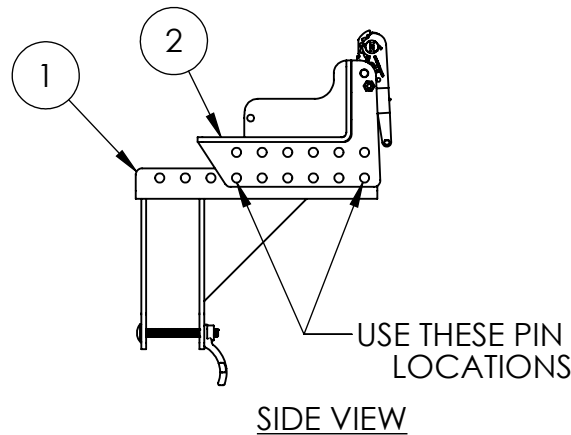
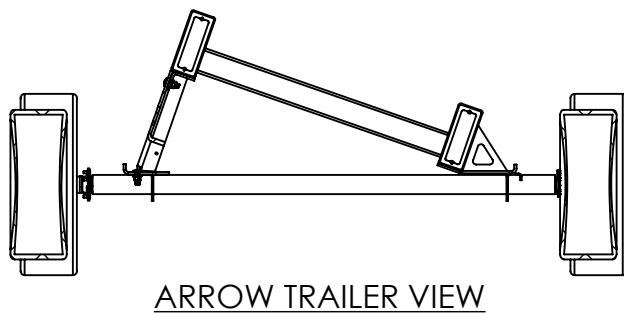
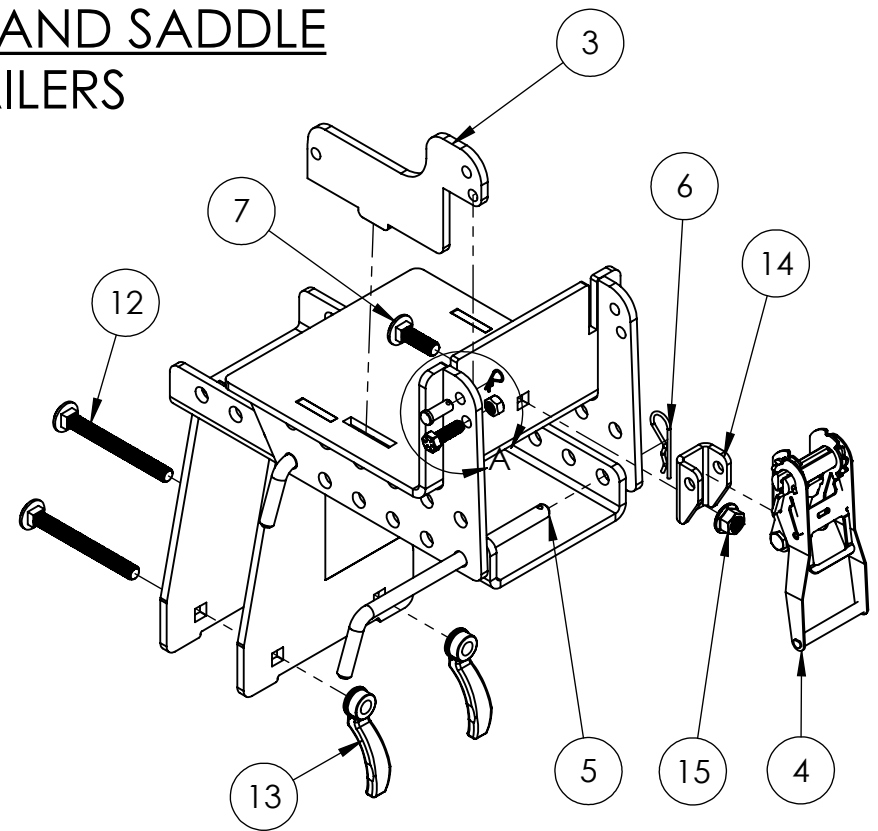
1. On pages 5, 6, and 7, find mounting dimensions for the desired trailer.
2. Take the Standard Mount (1), and remove the Carriage Bolt (5) and the Handle Nut (6).
3. Referencing previously found dimensions, place the Standard Mount (1) facing out on the main frame trailer tube in the approximate location shown.
4. Insert the Carriage Bolt (5) through the Standard Mount (1) and tighten the Handle Nut (6).
 - This may need adjusted when mounting head on trailer.
5. Next, on the Standard Saddle (2), remove both Pins (5) and (6).
6. Referencing the pin locations, place the Standard Saddle (2) on top of the Standard Mount (1), and insert the Bridge Pin (5) through the the Saddle and Mount and clip on the Pin (6). Repeat process for second set of pins.
7. Repeat this process for all remaining Standard Mounts and Standard Saddles.
8. If the Saddle Stop (flipper) (3) needs moved, remove the Clevis Pin (8), Bridge Pin (9), Hex Head Cap Screw (10), and the Lock Nut (11).
9. Move the Saddle Stop (3) from the left side to right side or visa versa and it will fit into the slot on the saddle top and align with the bolt holes.
10. Insert the Clevis Pin (8) through the top bolt holes and attach the Bridge Pin (9).
11. Insert the Hex Head Cap Screw (10) through the bottom bolt holes and tighten the Lock Nut (11).
 - Saddles towards the front of the trailer have saddle stops on the left side and saddles towards the rear have saddle stops on the right side.

If you have questions, call Ben Sommers at 515.601.6521



STANDARD MOUNT AND SADDLE ARROW TRAILERS

ITEM NO.	PART NUMBER	DESCRIPTION	QTY.
1	77-071400	10" STANDARD MOUNT	1
2	77-070500	STANDARD SADDLE	1
3	77-070503	SADDLE STOP	1
4	02-RAT50	RATCHET	1
5	02-581012BPN	5/8" x 10.5" BENT PIN	2
6	02-BP210	BRIDGE PIN 210	2
7	02-58112CBGR5	5/8"-11 x 2" CARRIAGE BOLT, GRADE 5	1
8	02-12112CLEVISZP	1/2" x 1 1/2" CLEVIS PIN, ZINC PLATED	1
9	02-BP222	BRIDGE PIN 222	1
10	02-1220112HHCS	1/2"-20 x 1 1/2" HEX HEAD CAP SCREW	1
11	02-1220LN	1/2"-20 LOCK NUT	1
12	02-58116CBGR5ZP	5/8"-11 x 6" CARRIAGE BOLT, GRADE 5, ZINC PLATED	2
13	02-5811HNZP	5/8"-11 HANDLE NUT, ZINC PLATED	2
14	77-070504	RATCHET KNUCKLE	1
15	02-5811CLNZP	5/8"-11 LOCK NUT, ZINC PLATED	1

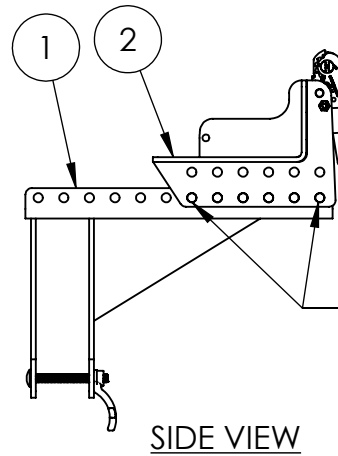
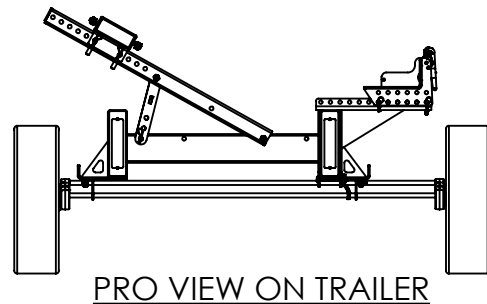
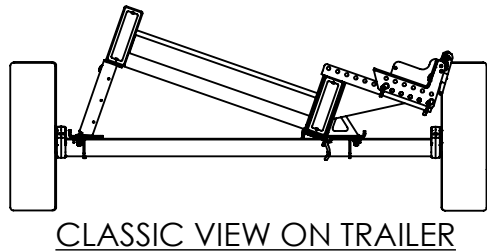
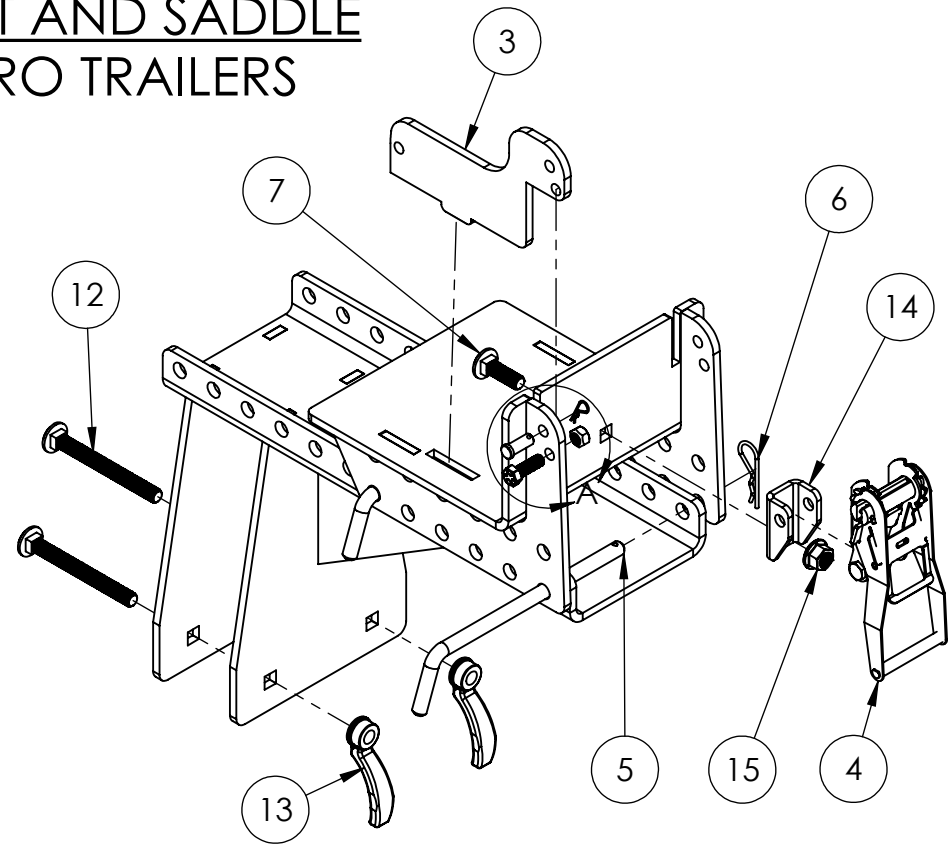


NOTES:
 1. SOME COMPONENTS REMOVED FOR CLARITY.
 2. MOUNT POSITIONS ARE FOR REFERENCE ONLY;
 ADJUST AS NEEDED.

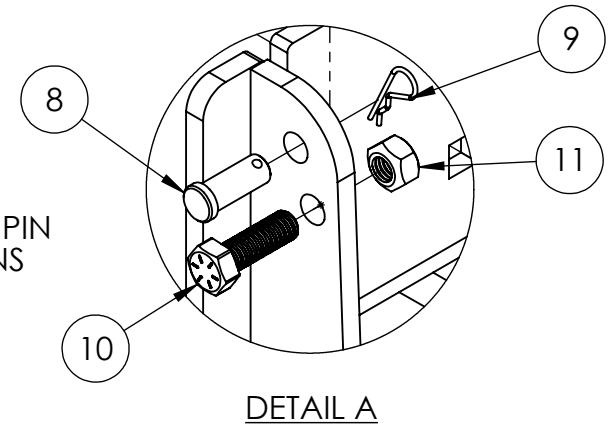


STANDARD MOUNT AND SADDLE CLASSIC AND PRO TRAILERS

ITEM NO.	PART NUMBER	DESCRIPTION	QTY.
1	SEE PAGE 1	STANDARD MOUNT	1
2	77-070500	STANDARD SADDLE	1
3	77-070503	SADDLE STOP	1
4	02-RAT50	RATCHET	1
5	02-581012BPN	5/8" x 10.5" BENT PIN	2
6	02-BP210	BRIDGE PIN 210	2
7	02-58112CBGR5	5/8"-11 x 2" CARRIAGE BOLT, GRADE 5	1
8	02-12112CLEVISZP	1/2" x 1 1/2" CLEVIS PIN, ZINC PLATED	1
9	02-BP222	BRIDGE PIN 222	1
10	02-1220112HHCS	1/2"-20 x 1 1/2" HEX HEAD CAP SCREW	1
11	02-1220LN	1/2"-20 LOCK NUT	1
12	02-58116CBGR5ZP	5/8"-11 x 6" CARRIAGE BOLT, GRADE 5, ZINC PLATED	2
13	02-5811HNZP	5/8"-11 HANDLE NUT, ZINC PLATED	2
14	77-070504	RATCHET KNUCKLE	1
15	02-5811CLNZP	5/8"-11 LOCK NUT, ZINC PLATED	1



USE THESE PIN LOCATIONS



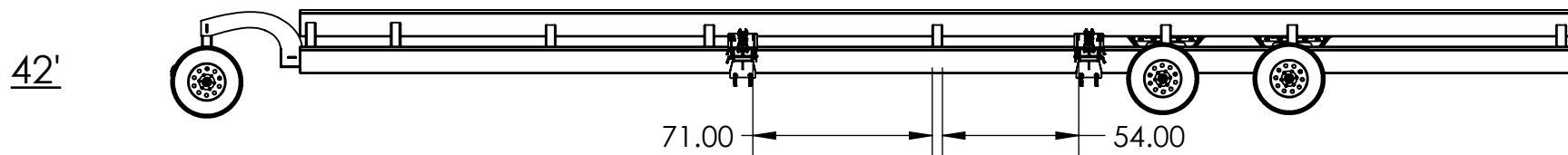
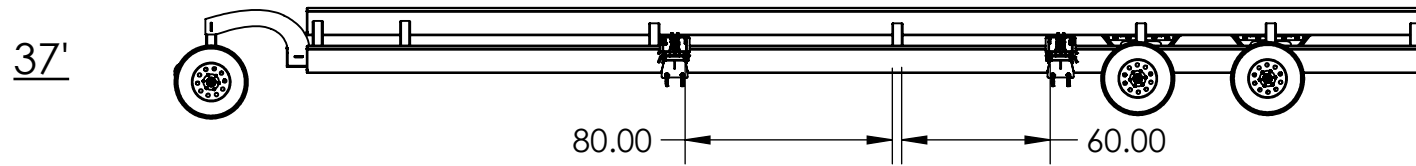
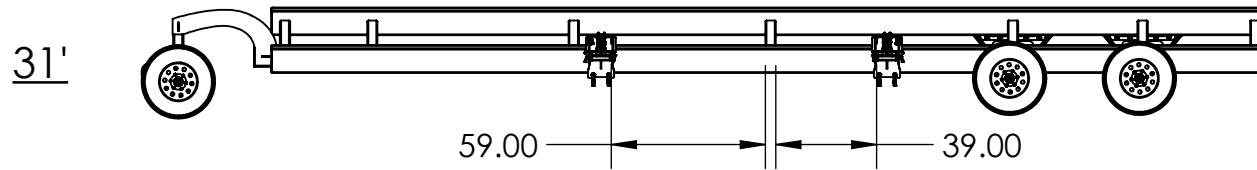
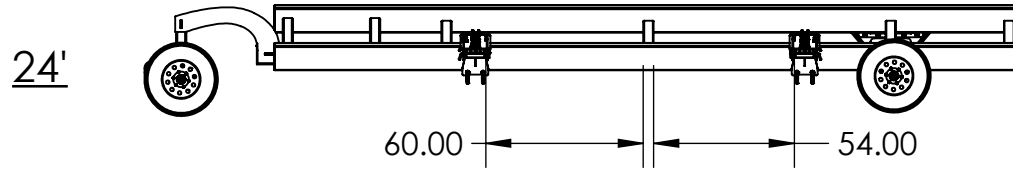
NOTES:

1. SOME COMPONENTS REMOVED FOR CLARITY.
2. MOUNT POSITIONS ARE FOR REFERENCE ONLY; ADJUST AS NEEDED.



HEADHUNTER ARROW

MOUNT LOCATIONS



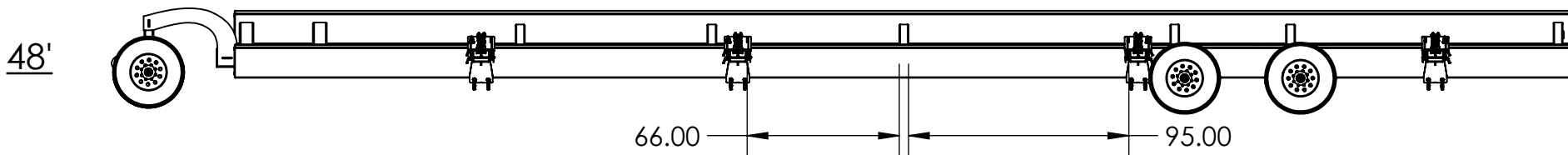
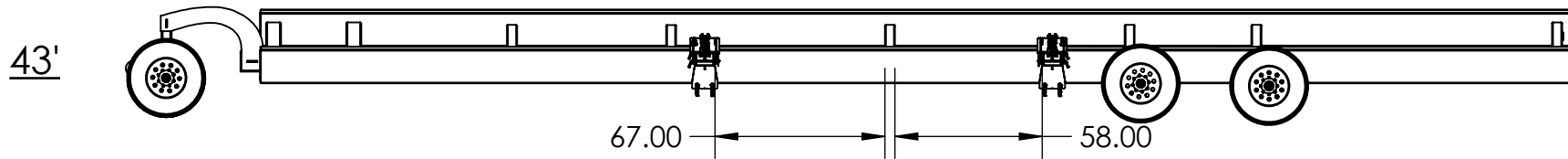
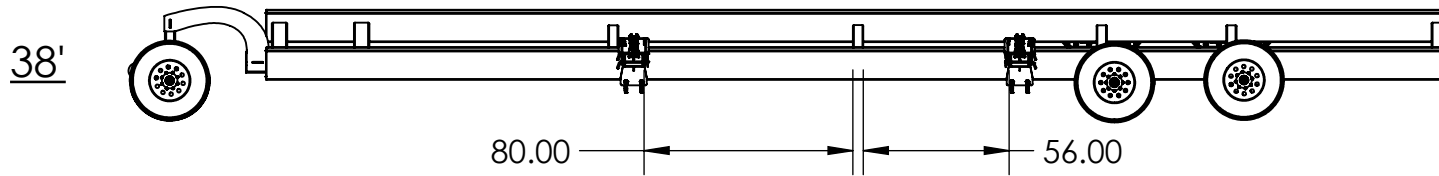
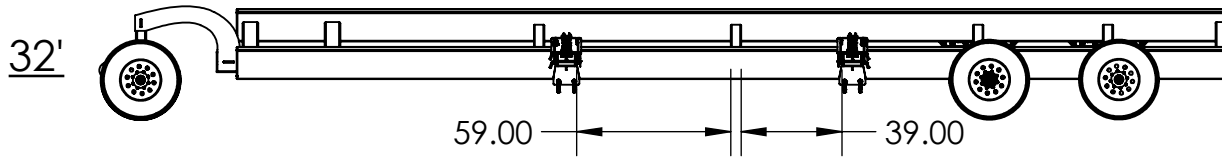
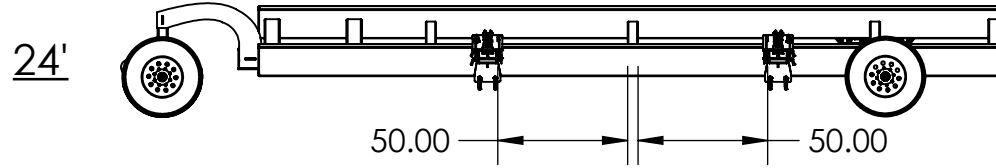
NOTES:

1. SOME COMPONENTS REMOVED FOR CLARITY.
2. MOUNT POSITIONS ARE FOR REFERENCE ONLY; ADJUST AS NEEDED.



HEADHUNTER CLASSIC

MOUNT LOCATIONS



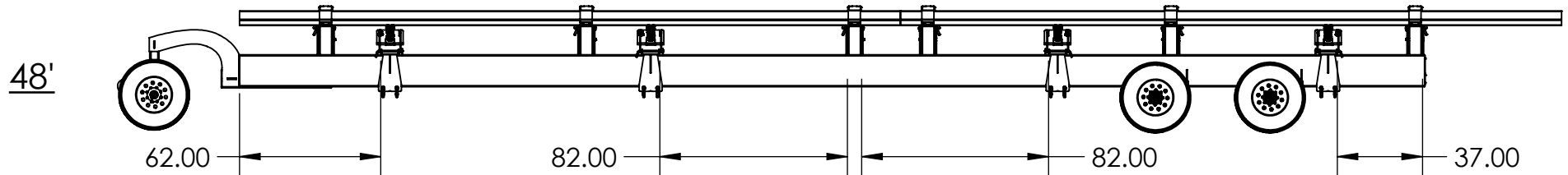
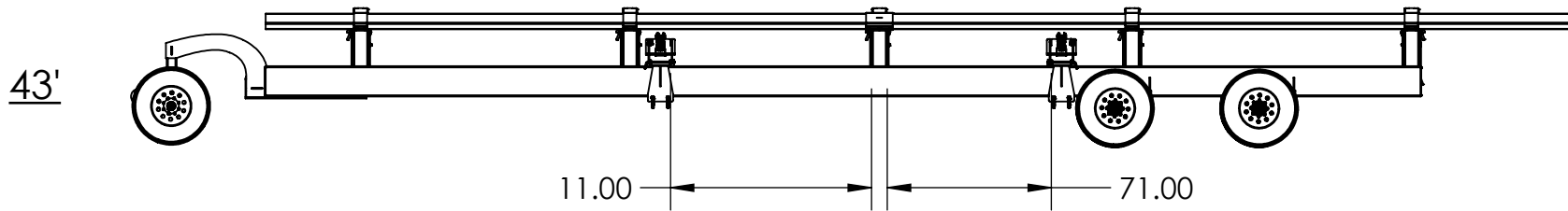
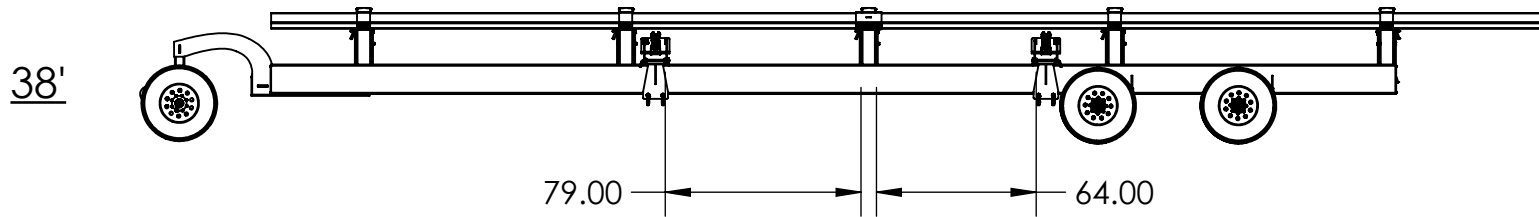
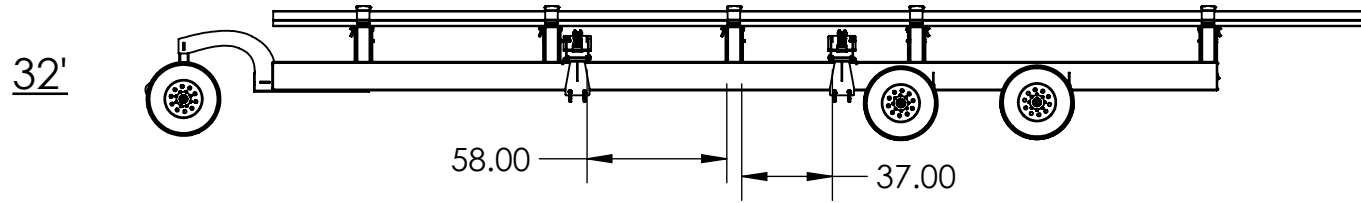
NOTES:

1. SOME COMPONENTS REMOVED FOR CLARITY.
2. MOUNT POSITIONS ARE FOR REFERENCE ONLY;
ADJUST AS NEEDED.



HEADHUNTER PRO

MOUNT LOCATIONS



NOTES:

1. SOME COMPONENTS REMOVED FOR CLARITY.
2. MOUNT POSITIONS ARE FOR REFERENCE ONLY; ADJUST AS NEEDED.

