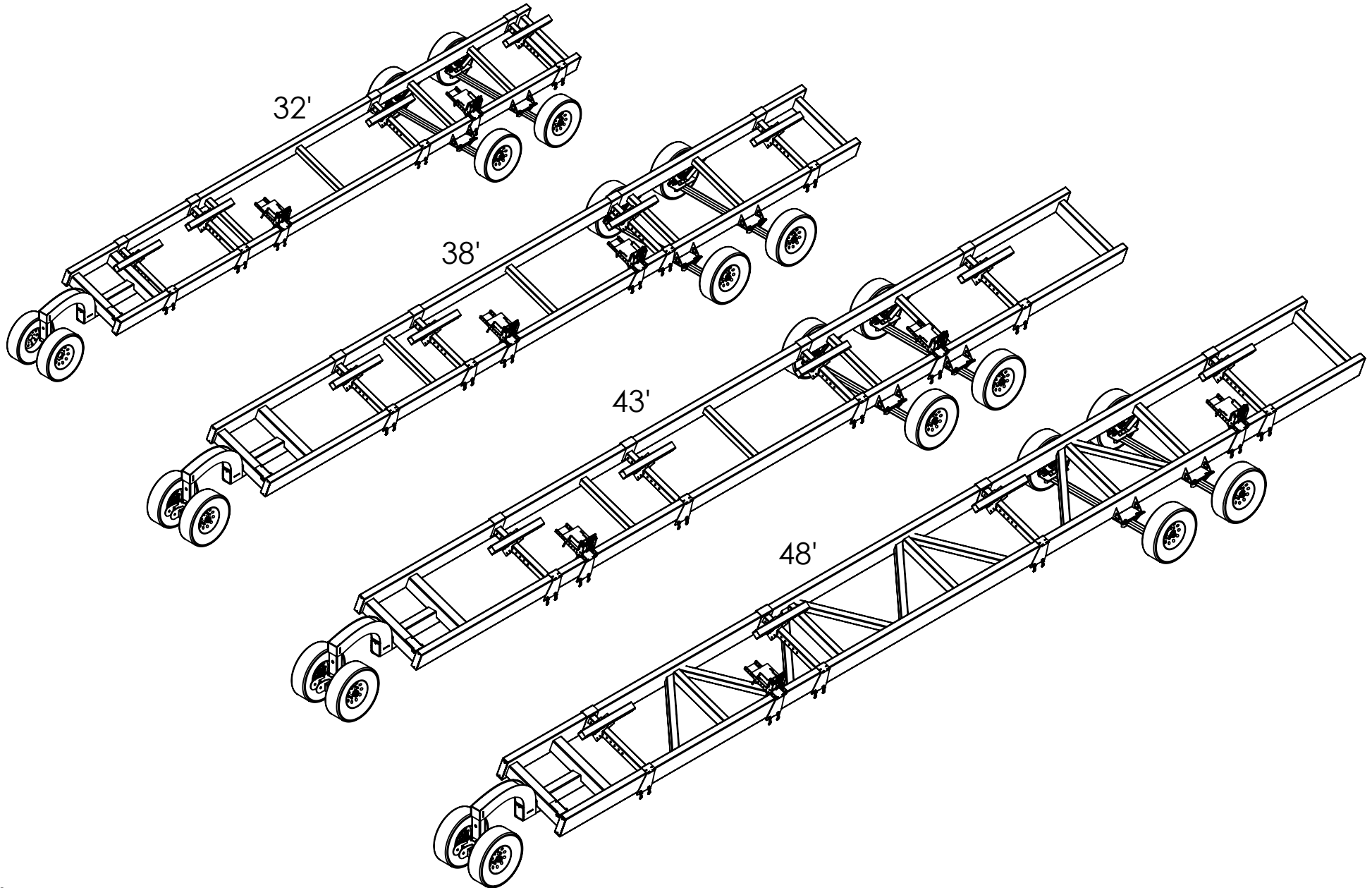


HEADHUNTER

STRIPPER HEAD 2025 INSTALLATION GUIDE



COMPATIBLE WITH HEADHUNTER CLASSIC AND HEADHUNTER ARROW TRAILERS



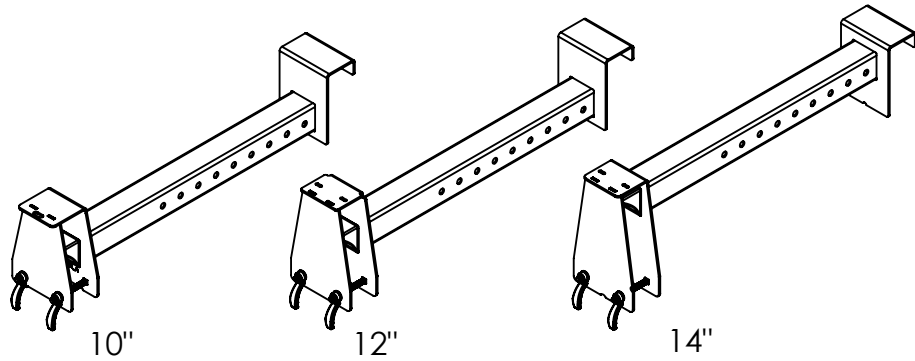
NOTES:

1. SOME COMPONENTS REMOVED FOR CLARITY.
2. MOUNT POSITIONS ARE FOR REFERENCE ONLY;
ADJUST AS NEEDED.

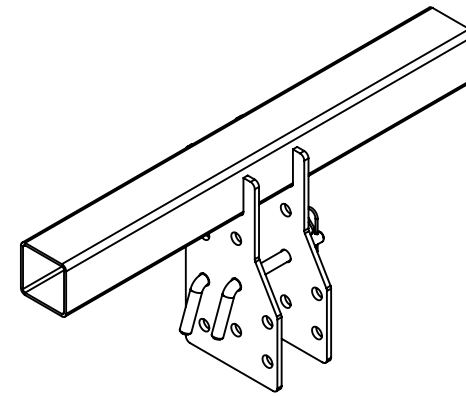


STRIPPER HEAD COMPONENTS

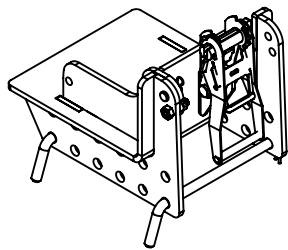
STRIPPER HEAD CENTER SUPPORT ARMS COME IN THREE SIZES



SIZE	PART NUMBER	COMPATIBLE TRAILERS
10"	77-080310	ALL ARROW TRAILERS
12"	77-080320	CLASSIC 32', 38', AND 43'
14"	77-080340	CLASSIC 43'-14, 48', AND 53'

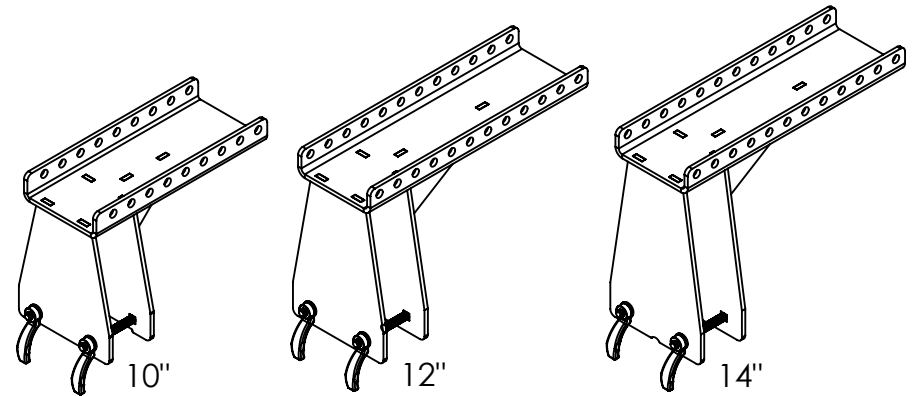


STRIPPER HEAD T-BRACKET
77-080345



STANDARD SADDLE
77-070500

STANDARD MOUNTS COME IN THREE SIZES

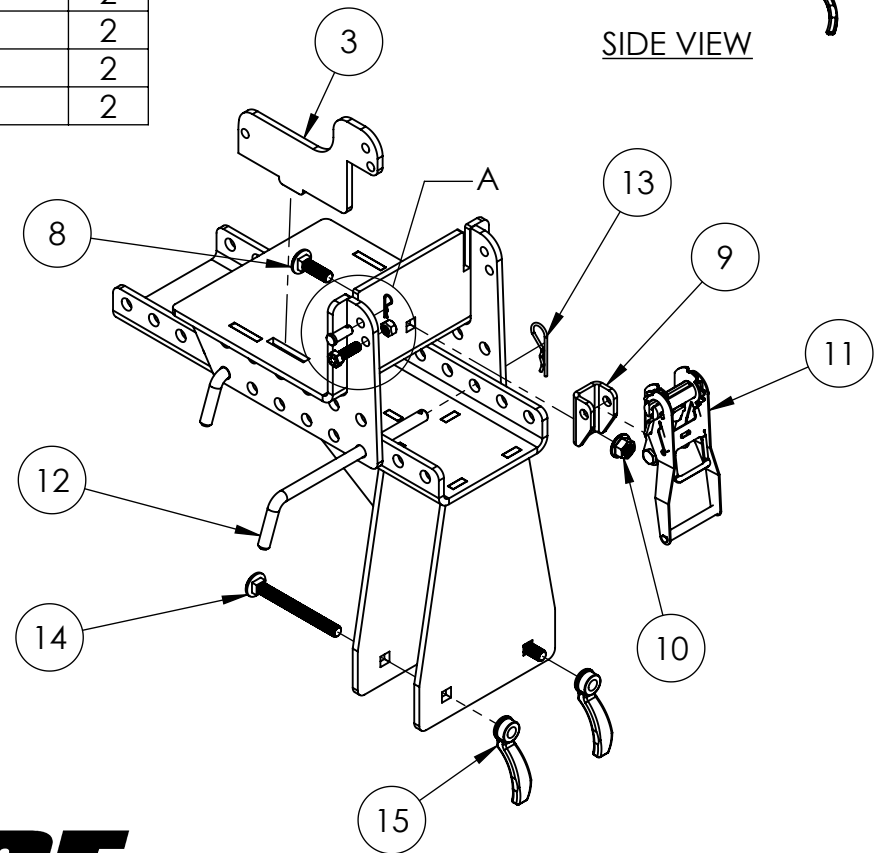
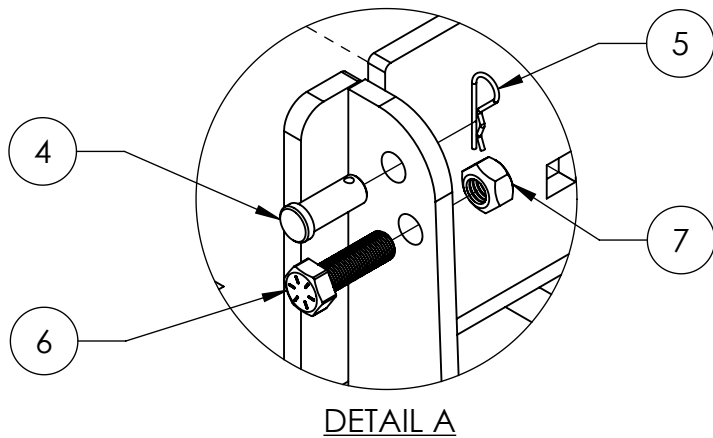
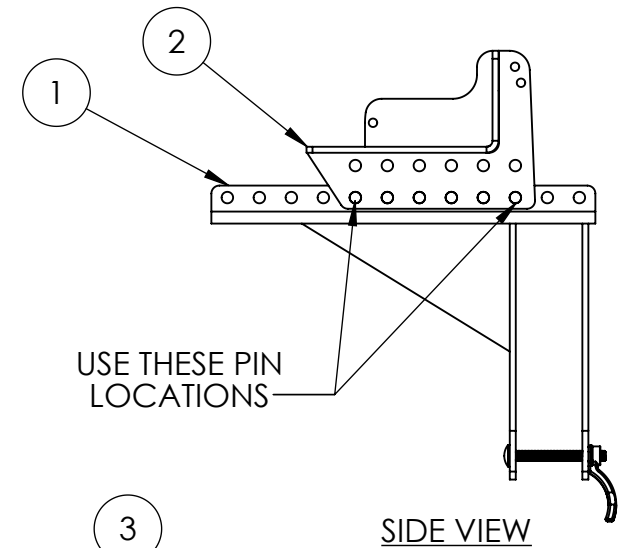


SIZE	PART NUMBER	COMPATIBLE TRAILERS
10"	77-071400	ALL ARROW TRAILERS
12"	77-070200	CLASSIC 24', 32', 38', AND 43'
14"	77-070300	CLASSIC 43'-14, 48', AND 53'

STANDARD MOUNT AND SADDLE ASSEMBLY

STRIPPER HEAD CONFIGURATION

ITEM NO.	PART NUMBER	DESCRIPTION	QTY.
1	SEE PAGE 02	STANDARD MOUNT	1
2	77-070500	STANDARD SADDLE (HW INCLUDED)	1
3	77-070503	SADDLE STOP	1
4	02-12112CLEVISZP	1/2" x 1 1/2" CLEVIS PIN	1
5	02-BP222	BRIDGE PIN 222	1
6	02-1220112HHCS	1/2"-20 x 1 1/2" HEX HEAD CAP SCREW	1
7	02-1220LN	1/2"-20 LOCK NUT	1
8	02-58112CBGR5	5/8" CARRIAGE BOLT	1
9	77-070504	RATCHET KNUCKLE	1
10	02-5811CLNZP	5/8"-11 LOCK NUT	1
11	02-RAT50	RATCHET	1
12	02-581012BPN	5/8" x 10.5" BENT PIN	2
13	02-BP210	BRIDGE PIN 210	2
14	02-58116CBGR5ZP	5/8"-11 x 6" CARRIAGE BOLT	2
15	02-5811HNZP	5/8"-11 HANDLE NUT	2



NOTES:

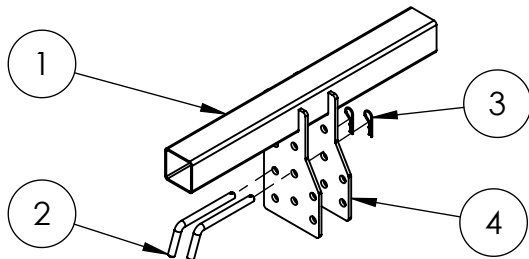
1. SOME COMPONENTS REMOVED FOR CLARITY.
2. MOUNT POSITIONS ARE FOR REFERENCE ONLY; ADJUST AS NEEDED.
3. THE SADDLE STOP (77-070503) CAN BE MOVED FROM THE LEFT SIDE TO THE RIGHT SIDE.



STRIPPER HEAD T-BRACKET and ARM

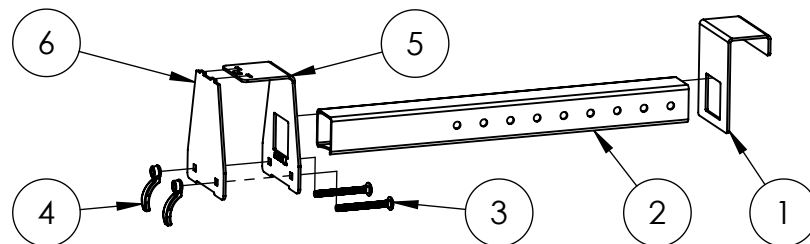
STRIPPER HEAD 2025 T-BRACKET 77-080345

ITEM NO.	PART NUMBER	DESCRIPTION	QTY.
1	37-080301	TUBE, SUPPORT	1
2	02-34712BPN	3/4" x 7 1/2" BENT PIN	2
3	02-BP210	COTTER PIN .148 DIA.	2
4	27-080346	STRIPPER HEAD T MOUNTING BRACKET	2



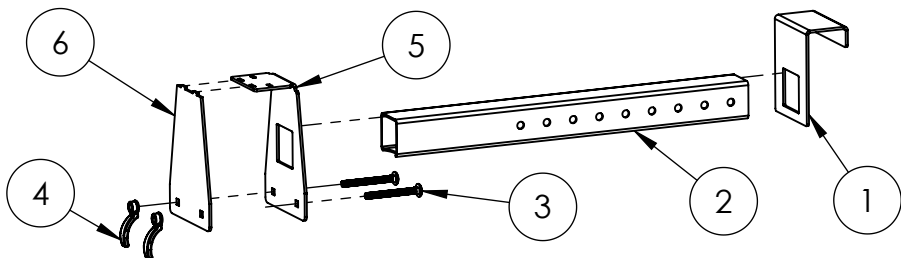
STRIPPER HEAD ARM 10" TRAILER FRAME 77-080310

ITEM NO.	PART NUMBER	DESCRIPTION	QTY.
1	37-070311	STRIPPER HEAD PASSENGER SIDE BRACKET	1
2	02-070312	TUBE, CENTER SUPPORT, STRIPPER HEAD	1
3	02-58116CBGR5ZP	CARRIAGE BOLT, 5/8"-11 x 6"	2
4	02-5811HNZP	5/8"-11 THREADED HANDLE NUT ZP	2
5	37-080315	10" STRIPPER HEAD BENT PLATE, DS	1
6	27-080314	10" MOUNT PLATE	1



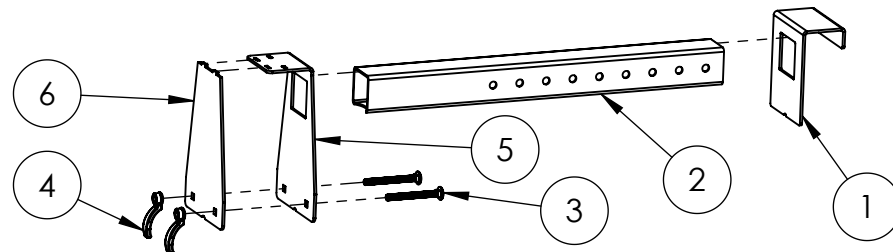
STRIPPER HEAD ARM 12" TRAILER FRAME 77-080320

ITEM NO.	PART NUMBER	DESCRIPTION	QTY.
1	37-070311	STRIPPER HEAD PASSENGER SIDE BRACKET	1
2	02-070312	TUBE, CENTER SUPPORT, STRIPPER HEAD	1
3	02-58116CBGR5ZP	CARRIAGE BOLT, 5/8"-11 x 6"	2
4	02-5811HNZP	5/8"-11 THREADED HANDLE NUT ZP	2
5	37-070313	12" STRIPPER HEAD BENT PLATE, DS	1
6	27-070314	12" MOUNT PLATE	1



STRIPPER HEAD ARM 14" TRAILER FRAME 77-080330

ITEM NO.	PART NUMBER	DESCRIPTION	QTY.
1	37-080341	STRIPPER HEAD PASSENGER SIDE BRACKET	1
2	02-070312	TUBE, CENTER SUPPORT	1
3	02-58116CBGR5ZP	CARRIAGE BOLT, 5/8"-11 x 6"	2
4	02-5811HNZP	5/8"-11 THREADED HANDLE NUT ZP	2
5	37-080342	14" STRIPPER HEAD BENT PLATE, DS, 48' & 53'	1
6	27-070101	14" MOUNT PLATE	1



NOTES:

1. SOME COMPONENTS REMOVED FOR CLARITY.
2. MOUNT POSITIONS ARE FOR REFERENCE ONLY;
ADJUST AS NEEDED.



HEADHUNTER

STRIPPER HEAD MOUNT INSTRUCTIONS

TOOLS NEEDED:

Tape Measure

Estimated Install Time



(Reference page 04 and 06-12 of your desired trailer.)

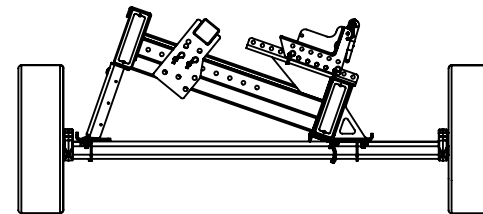
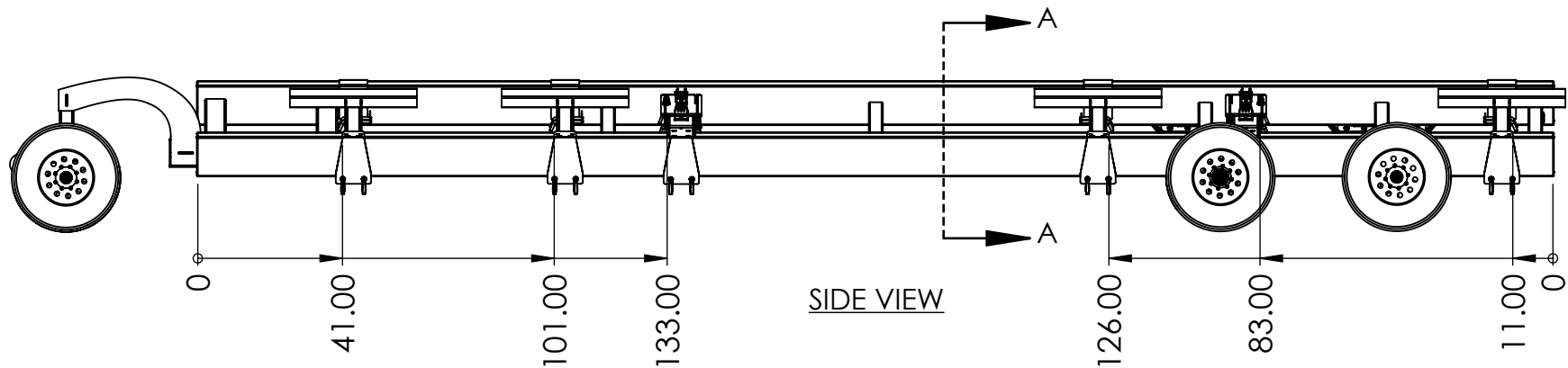
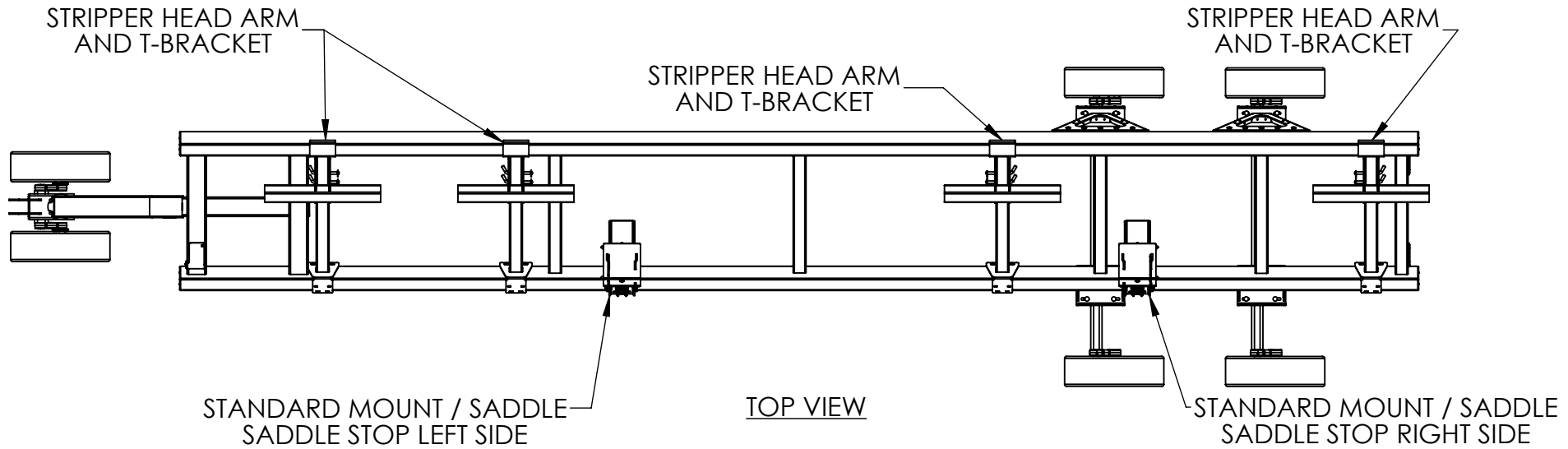
STEPS:

1. Using reference dimensions found on pages 06-12, take Stripper Head Arm (77-080310/20/30) and place it on the trailer.
 - Note: The 5/8" carriage bolts and handle nuts may need removed.
2. Take the 5/8" carriage bolts (02-58113CBGR5ZP) and insert them through the bottom holes of the Stripper Head bent plate.
 - Note: Insert bolts with the threads pointing to the outside of the trailer.
3. Using the handle nuts (02-5811HNZP), tighten on the carriage bolts.
4. Next, take the Stripper Head T-Bracket (77-080345) and remove the bent pins (02-34712BPN) and the cotter pins (02-BP210).
5. Place the Stripper Head T-Bracket (77-080345) on the Stripper Head Arm (77-080310/20/30).
6. Insert the bent pins (02-34712BPN) through the holes of the Stripper Head T-Bracket (77-080345) and the Stripper Head Arm (77-080310/20/30) then insert the cotter pins (02-BP210).
7. Repeat this process for each Stripper Head Arm and Stripper Head T-Bracket mount.
 - Note: Adjust the Arm and T as needed to seat the head properly.

If you have questions, call Ben Sommers at 515.601.6521



32' STRIPPER HEAD ON A 32' TRAILER LAYOUT

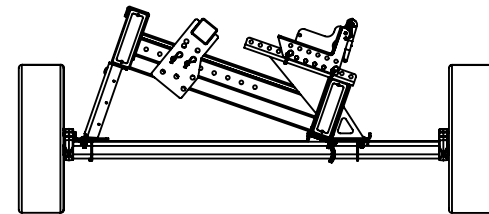
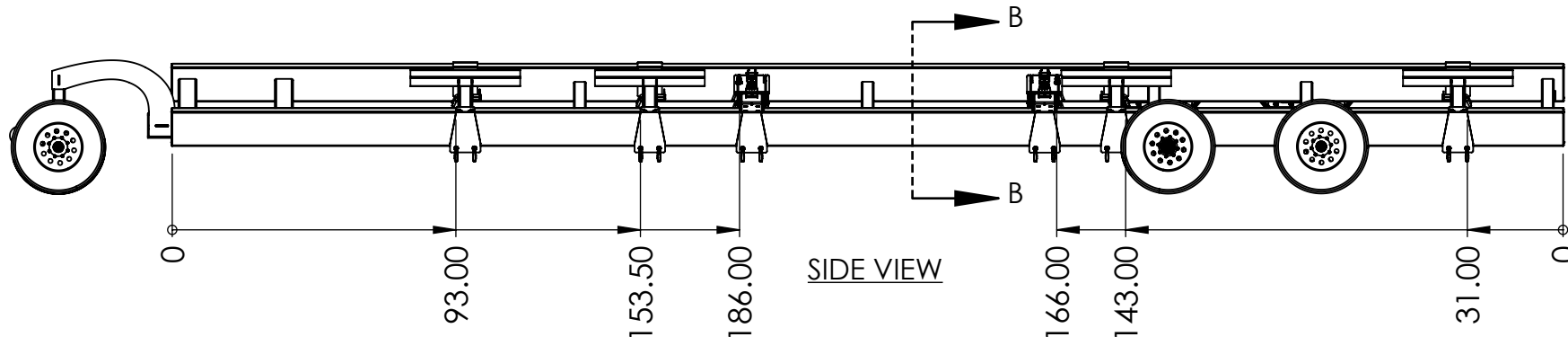
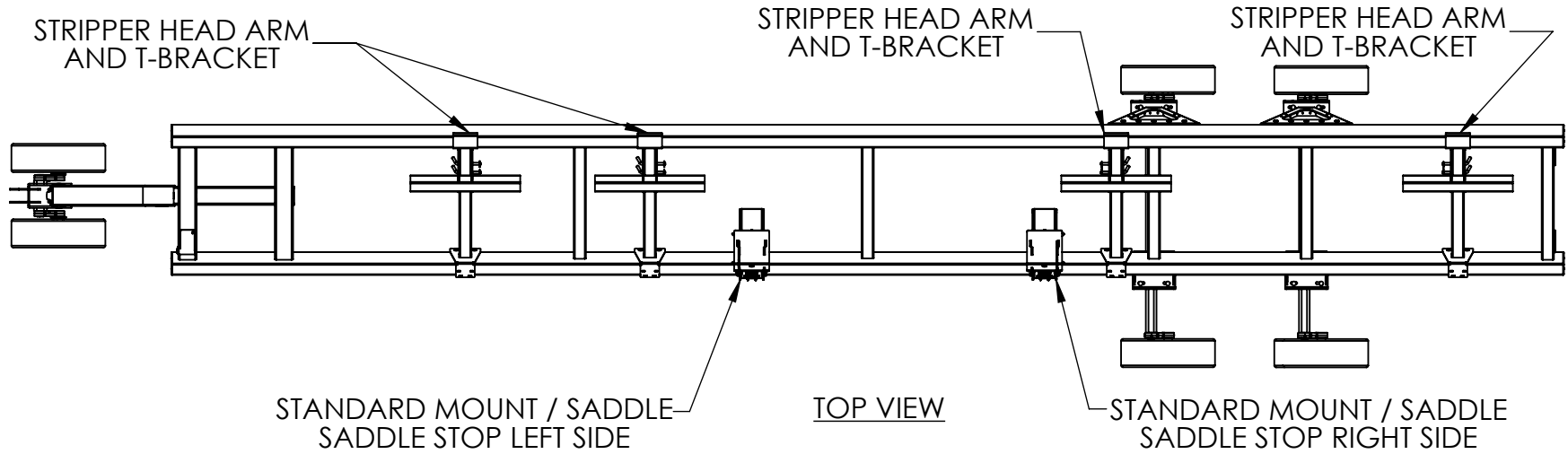


SECTION A-A

- NOTES:**
1. SOME COMPONENTS REMOVED FOR CLARITY.
 2. DIMENSIONS ARE FOR REFERENCE ONLY;
ADJUST AS NEEDED.
 3. ALL MEASUREMENTS ARE IN INCHES.



32' STRIPPER HEAD ON A 38' TRAILER LAYOUT

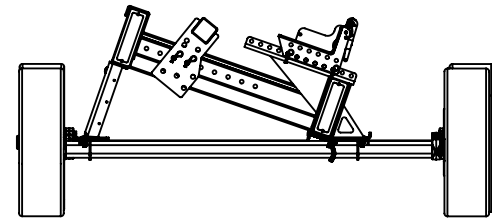
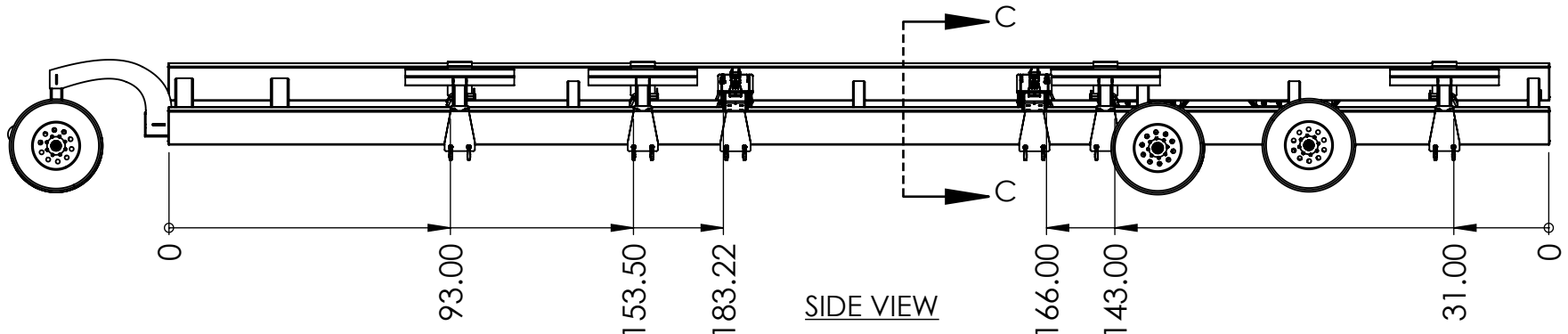
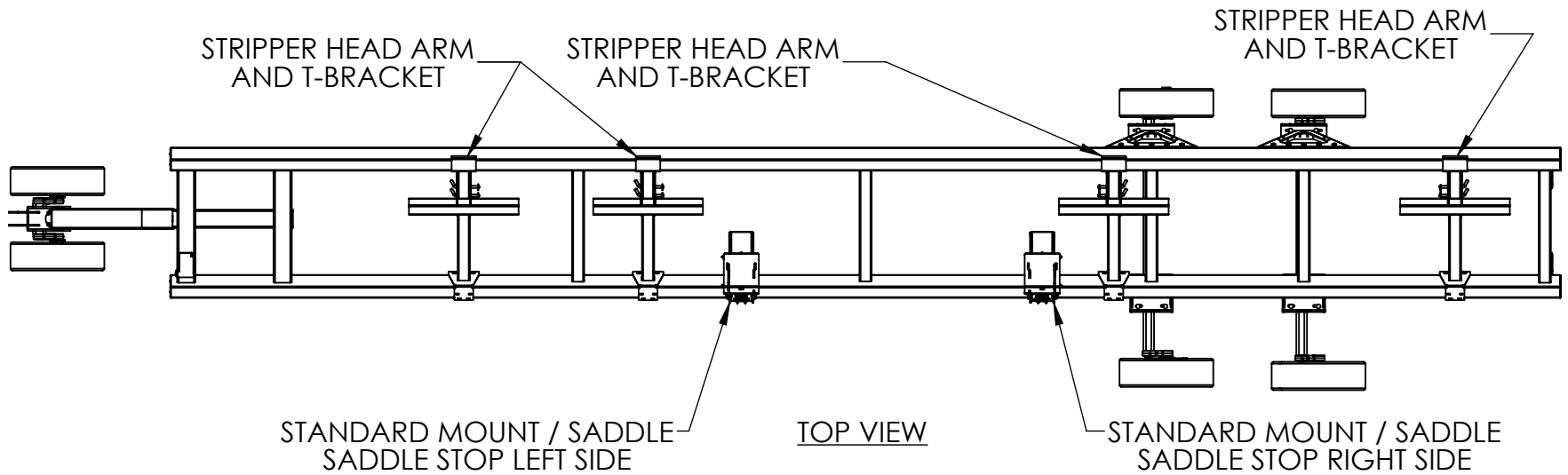


SECTION B-B

- NOTES:
1. SOME COMPONENTS REMOVED FOR CLARITY.
 2. DIMENSIONS ARE FOR REFERENCE ONLY;
ADJUST AS NEEDED.
 3. ALL MEASUREMENTS ARE IN INCHES.



36' STRIPPER HEAD ON A 38' TRAILER LAYOUT

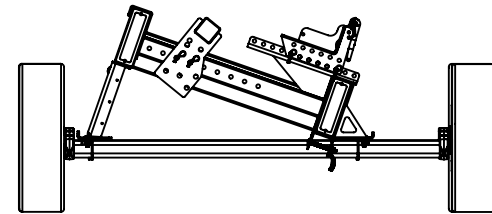
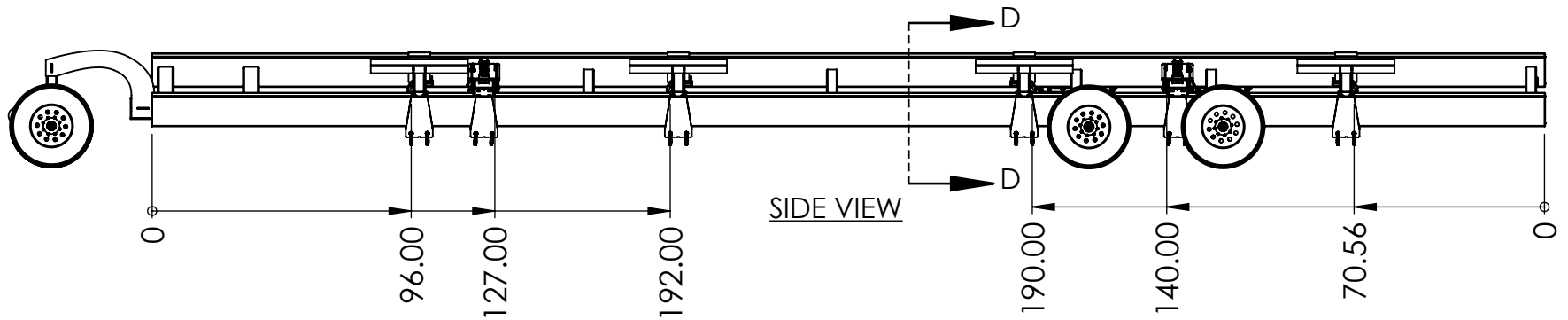
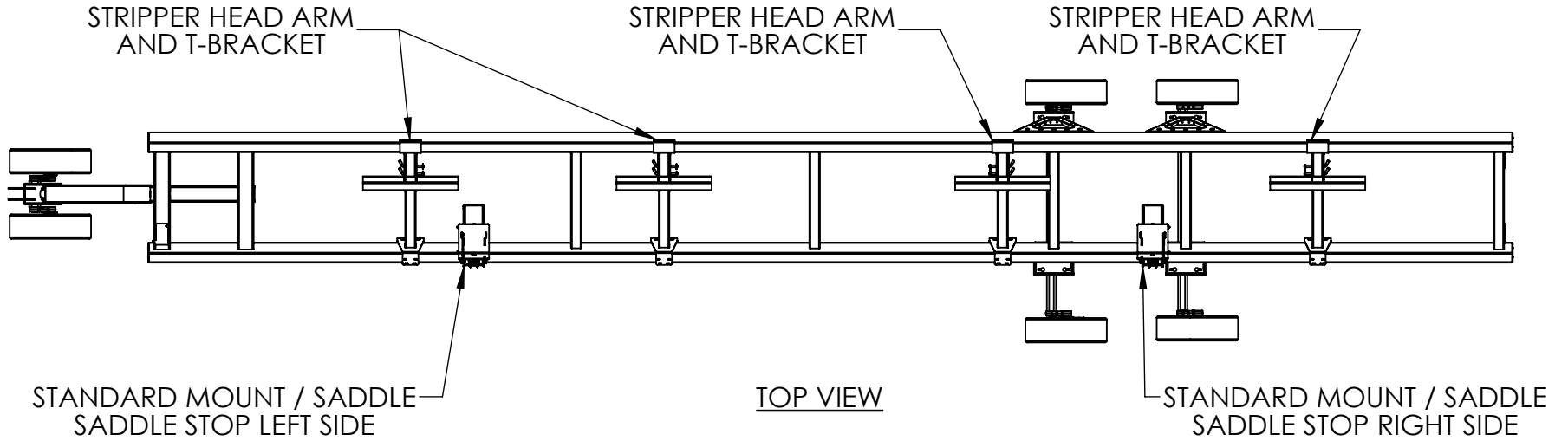


NOTES:

1. SOME COMPONENTS REMOVED FOR CLARITY.
2. DIMENSIONS ARE FOR REFERENCE ONLY;
ADJUST AS NEEDED.
3. ALL MEASUREMENTS ARE IN INCHES.



36' STRIPPER HEAD ON A 43' TRAILER LAYOUT

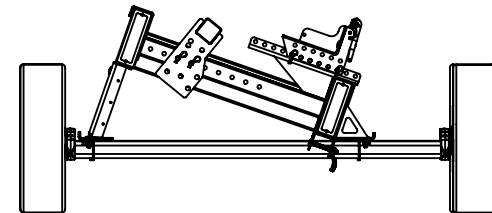
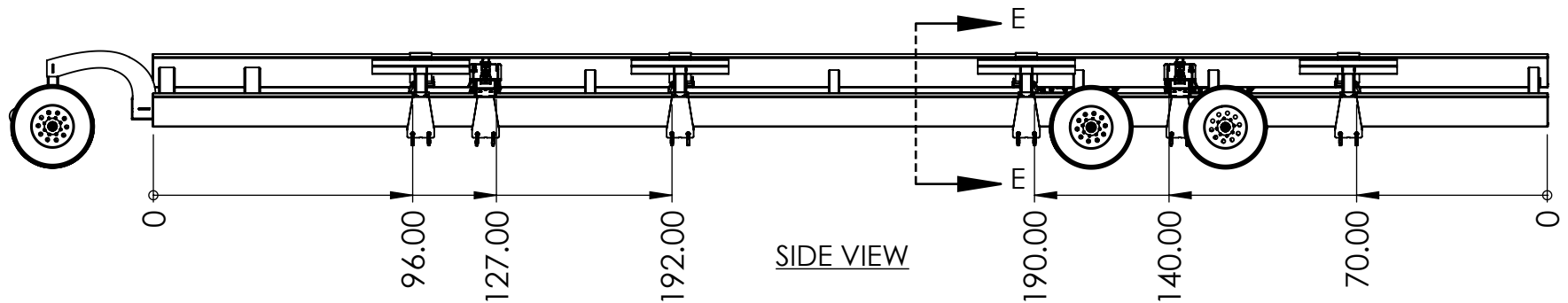
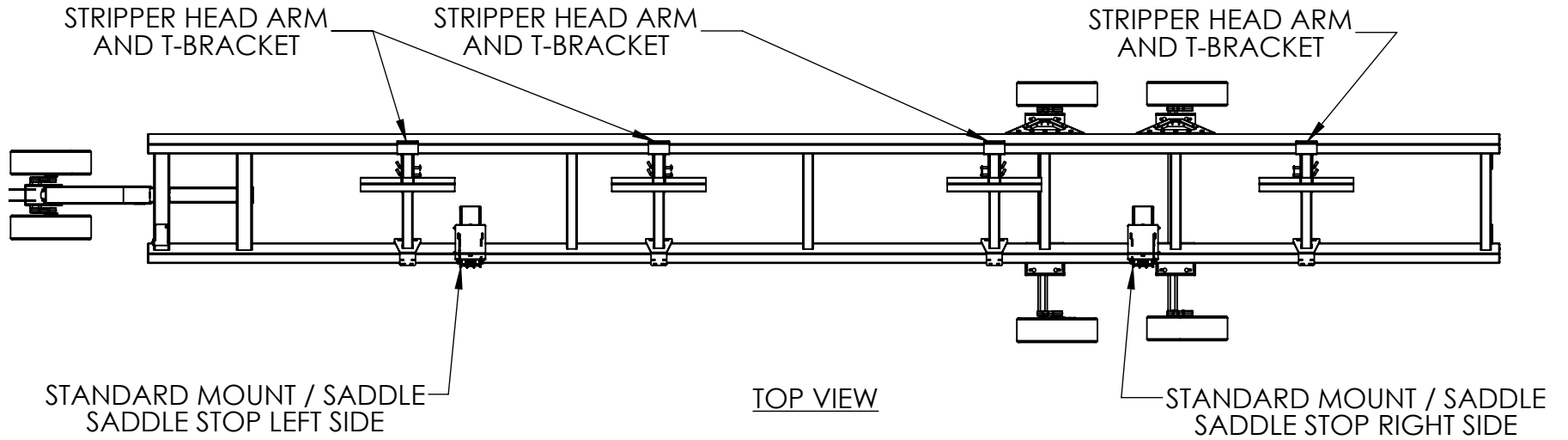


SECTION D-D

- NOTES:
1. SOME COMPONENTS REMOVED FOR CLARITY.
 2. DIMENSIONS ARE FOR REFERENCE ONLY;
ADJUST AS NEEDED.
 3. ALL MEASUREMENTS ARE IN INCHES.



38' STRIPPER HEAD ON A 43' TRAILER LAYOUT



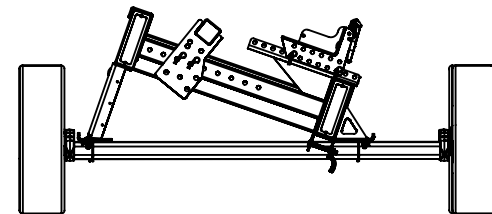
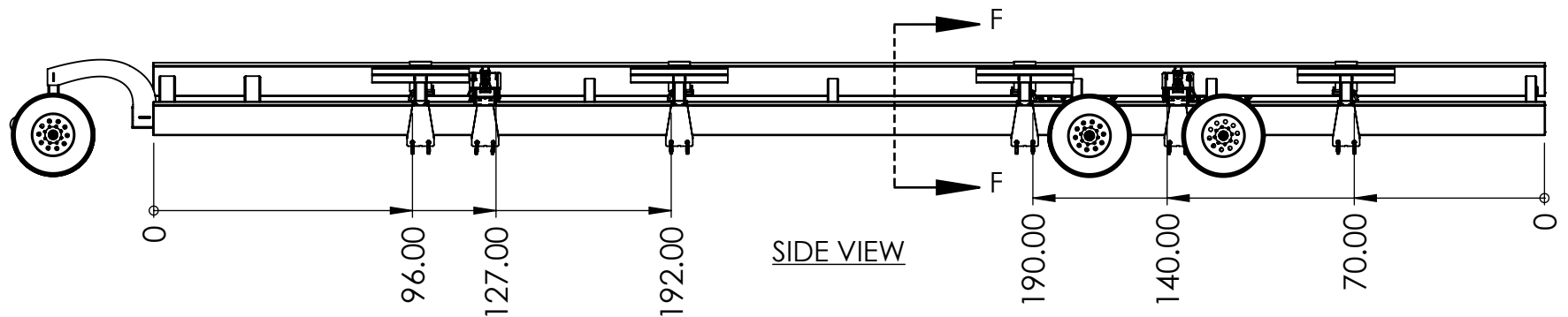
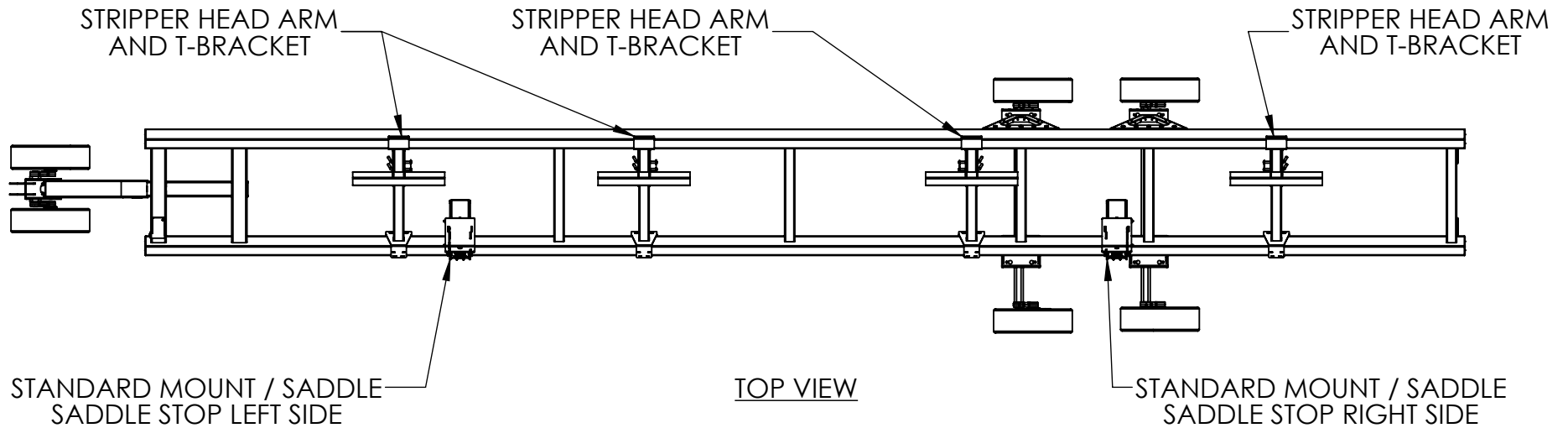
SECTION E-E

NOTES:

1. SOME COMPONENTS REMOVED FOR CLARITY.
2. DIMENSIONS ARE FOR REFERENCE ONLY;
ADJUST AS NEEDED.
3. ALL MEASUREMENTS ARE IN INCHES.



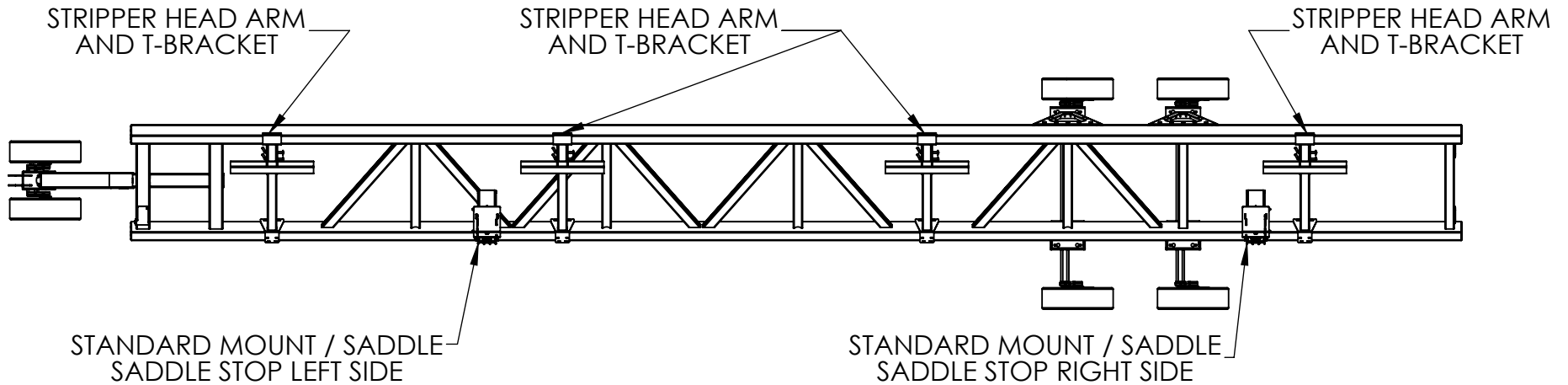
42' STRIPPER HEAD ON A 43' TRAILER LAYOUT



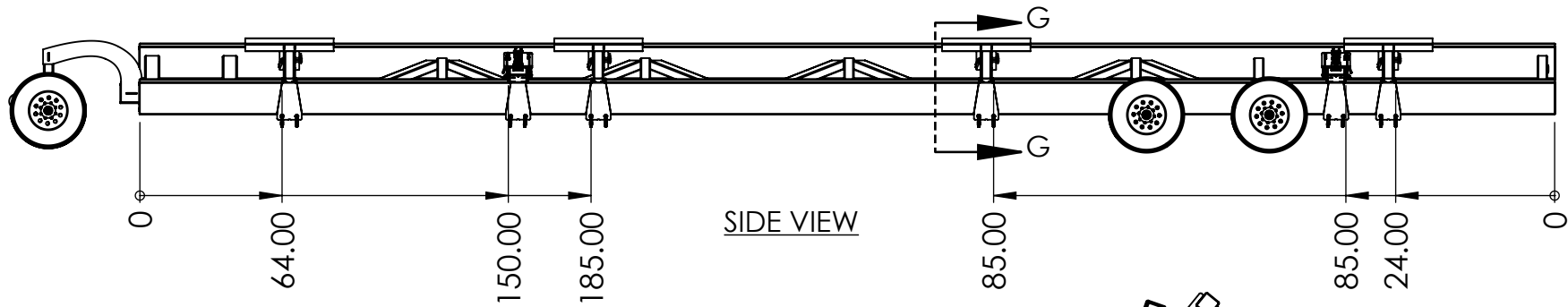
- NOTES:**
1. SOME COMPONENTS REMOVED FOR CLARITY.
 2. DIMENSIONS ARE FOR REFERENCE ONLY;
ADJUST AS NEEDED.
 3. ALL MEASUREMENTS ARE IN INCHES.



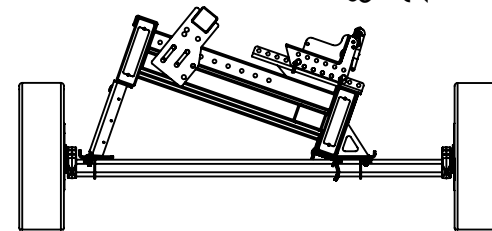
42' STRIPPER HEAD ON A 48' TRAILER LAYOUT



TOP VIEW



SIDE VIEW



SECTION G-G

NOTES:

1. SOME COMPONENTS REMOVED FOR CLARITY.
2. DIMENSIONS ARE FOR REFERENCE ONLY;
ADJUST AS NEEDED.
3. ALL MEASUREMENTS ARE IN INCHES.

